

SWITCHLITE MRE SLD IP55

IP55 PIR detector

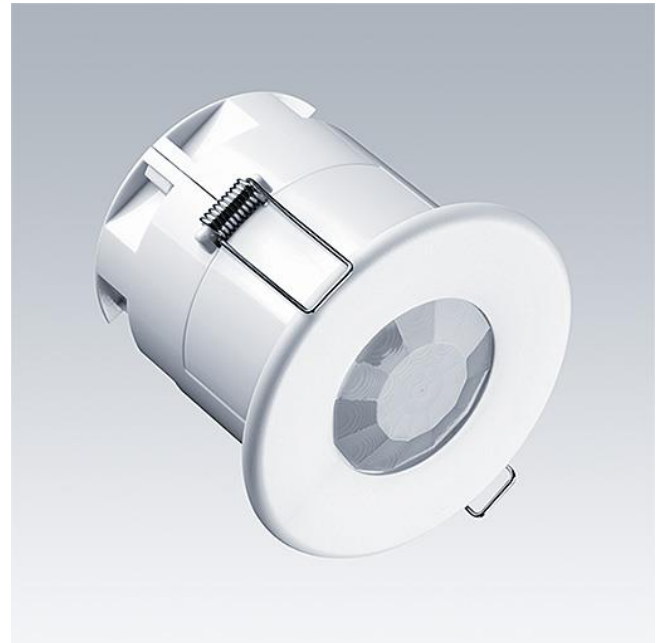
Art. no. 96239821

Application

The SWITCHLITE MRE SLD IP55 recessed PIR Presence/Absence Detector provides automatic control (on/off switching) of lighting loads with optional manual control. Suitable for application with requirements up to IP55. It provides energy saving (on/off switching) in response to room occupancy and daylight levels, controlling incandescent, fluorescent and compact fluorescent lighting, and has the added benefit of being able to connect an external switch.

Design notes

- To switch from more than one position simply wire two or more units in parallel.
- The detector should be sited so that the occupants of the room fall inside the detection pattern, at a recommended height of 2.8m on the ceiling. Note that the lower the sensor is installed the smaller the detection range will be.
- Avoid direct sunlight entering the sensor.
- Do not site within 1m of forced air heating or ventilation, or any lighting.
- Do not fix to a vibrating surface.



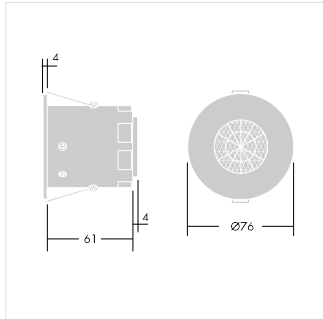
Functional description

- Passive infrared detection.
- Covers up to 7 metres diameter at a 2.8m mounting height.
- Sealed to IP55 when installed flush in a ceiling.
- 3m is the max mounting height.
- Presence/Absence detection adjustable via external switch.
- Recessed design provides minimum intrusion.
- Provides additional building security by switching on when intruders are detected.
- Reducing building running costs.
- Default setting available:
Timeout: 20 min
Lux on Level: 9 (The luminaires will always be switched on at level 9)
Lux off Level: 9 (Level 9 will always keep the luminaires on)
Sensitivity: 9 (1 = low sensitivity; 9 = high sensitivity)
Presence/Absence: Presence
- Basic programming available via optional remote control (SWITCHLITE CC PROGRAMMER, Art. no. 96240295)
E.g. :Minimum ambient light level and time delay before switching luminaires off (1m to 30min) adjustable.
The full list of all adjustable parameters is available in the Installation Instruction.

Mounting and installation instructions

- Fits into 64mm diameter hole in suspended ceilings.
- Supply voltage 230...240V, 50Hz. Switching capacity 10A.
- This IP variant is sealed to IP55 when installed flush in a ceiling.

Dimension



Technical data

Nominal voltage	230V AC +/- 10%
Switching capacity	10A of lighting and or ventilation including incandescent, fluorescent, compact fluorescent, low voltage (switching primary of transformer)
Presence monitoring range	approx 5...7m diameter at 2.5m ceiling height
Terminals	2.5mm ²
Housing material	Flame retardant ABS, fixing clip polypropylene
Protection class	Class II
Permissible ambient temperature t _a	-10—+35 °C
Weight	Approx. 0.15 kg
Protection type	IP55