

DATA SHEET: MOTUS MS-W 180° IP44 MOTION DETECTOR



SCHRACK-INFO

- 180° motion detector
- Spherical head technology
- Installation type: wall mounting
- Housing material: UV stabilised plastic
- Approx. measurements:
95 x 62 x 95 mm (H x W x L)
- Colour: black or white

TECHNICAL DATA

OPERATING VOLTAGE	~230-240V / 50 Hz
ANGLE OF COVERAGE	180°
HEIGHT	2,2 m
WIDTH	12 m
TIME SETTING	10 sec. ± 1 sec. / 5 min. ± 10 sec.
LIGHTING LOAD	max. 1000W incandescent, max. 400W fluorescent
PROTECTION TYPE/CLASS	IP 44 / II
OPERATING TEMPERATURE	-20 °C...+40 °C
DETECTION RANGE	is determined at the temperature of +20°C

DETECTING RANGE

(e) Daylight setting

The sensor's response threshold can be infinitely varied from 2-2000 lux.

If you turn the knob clockwise device will operate at dark.

Control dial set = daylight operation approx. 2000 lux

Control dial set = night-time operation approx. 2 lux

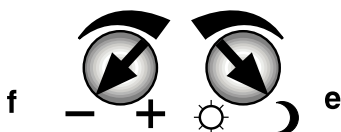
(f) Time setting

Light ON time can be adjusted continuously from 10 sec. ± 1 sec. / 5 min. ± 10 sec.

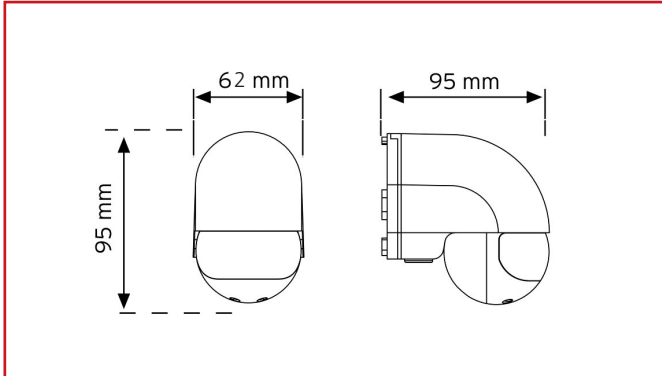
If you turn the knob clockwise device will operate at minimum time (10 seconds).

Control dial set to min = Shortest time (10 sec. ± 1 sec.)

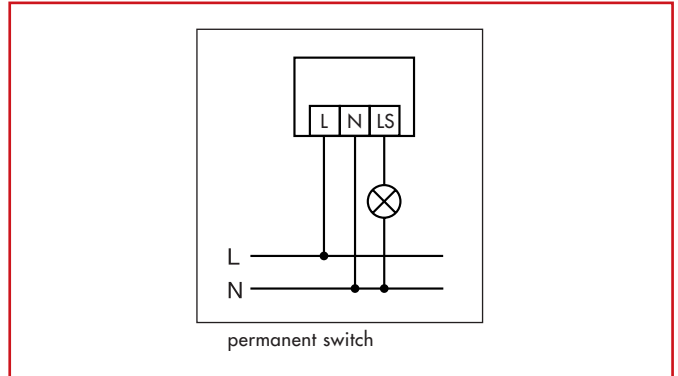
Control dial set to max = Longest time (5 min. ± 10 sec.)



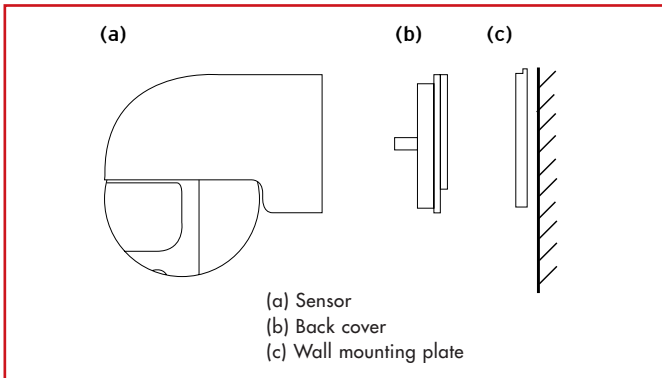
DIMENSIONS



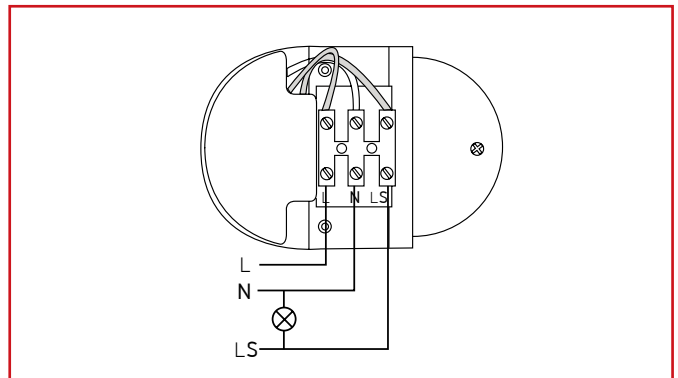
CIRCUIT DIAGRAM



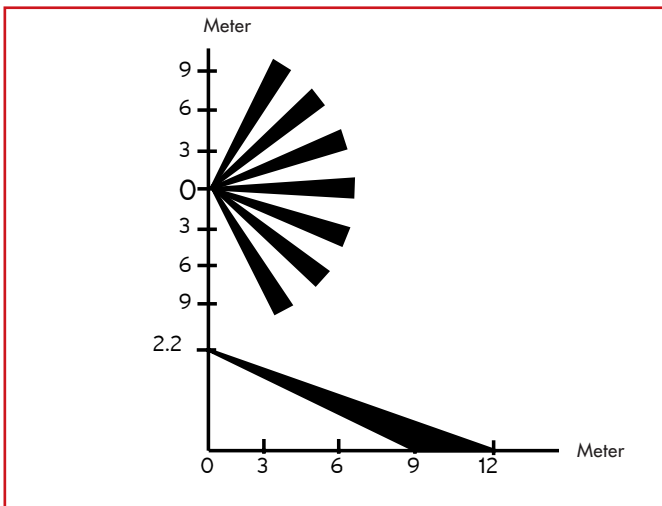
SYSTEM COMPONENTS



CONNECTING TERMINAL

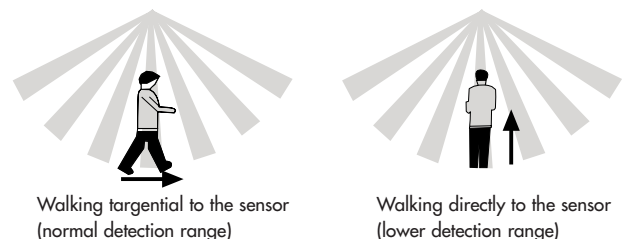


DETECTING RANGE



DETECTION AREA

Detection area of motion sensors depends on the angle between PIR detector and moving direction, temperature, mounting style and mounting place. Temperature is very important for operation for motion sensor like all electronic devices. Using higher value of loads written on manuals and packages will decrease temperature inside the device when using MOTUS Motion Sensor. As a result detection range will decrease and may cause defect of electronic components. Environment temperature will also cause decrease of detection range. Detection range give is determined at 20°C. If the weather is hot, it will decrease.



DESCRIPTION	ORDER NO.
white	ESS10180W
black	ESS10180S