

Power supply 24V DC/1.5A

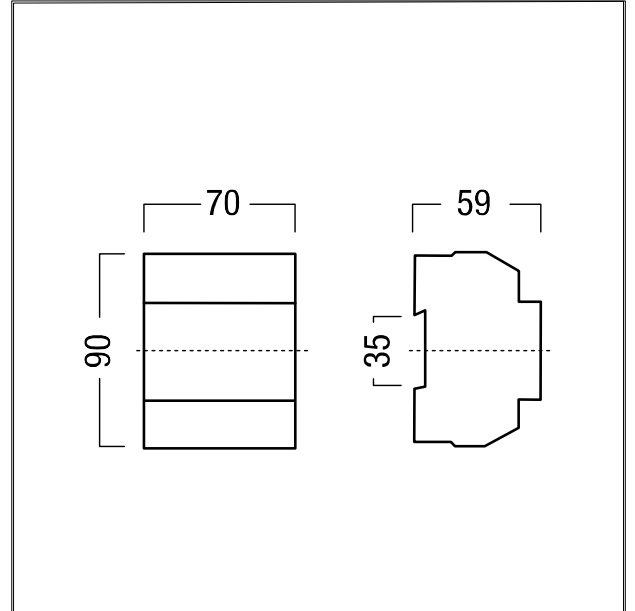
Power supply 24V DC/1.5A,

input voltage: 85–264 V AC, 120–370 V DC; output voltage: 24 V, 0–1,5 A $\pm 1\%$; power: 30 W

LED status indicator, short-circuit, overload and overvoltage protection; installed on DIN rail (35 mm) in switching and distribution cabinets, class of protection 2, Dimensions: 70 x 90 x 59 mm, 4HP (1 HP = 17.5 mm) weight: 0.27 kg



LMC_F_Litenet_SV_30_24.jpg



LMC_M_4TE.wmf