

DALI-CCW 01/02/03 b+c

Control point, square-edge white

Art. no. 22154627

Control point for operating, commissioning and configuring a Basic DALI installation containing 3 scenes, and for controlling the lighting level; white finish, printed with neutral scene icons "1", "2", "3" and "Light level" for general-purpose use.

Application

The DALI-CCW 1/2/3 Circle control point is a wall-mounted control unit in standard switch size, and is used for commissioning the complete DALI installation. It enables easy and convenient addressing of all DALI outputs in the room. Recurring lighting situations for different activities in the various rooms can be configured as scenes and actuated at the press of a button when required. In addition, the user can manually adjust the active scene using two group rocker switches for controlling the light level of two lighting groups.

Its contemporary design and clear layout make it extremely easy to use and mistakes are unlikely: each button is assigned to just one function. The DALI-CCW 1/2/3 DALI Circle control point is made of plastic in a white satin-matt finish. The DALI-CCW 1/2/3 is printed with the neutral scene icons "1", "2" and "3" for general-purpose use, and the rocker-switches are printed with the "Light level" icons.

Note: for customer-specific variants, the symbols on the buttons can be freely selected from a library. The selected symbols are identified by an index designation in the product name. The selected colour via the index W, S or B

Design notes

- Several DALI-CCW 1/2/3 control points, each having the same function, can be used in one installation.



Functional description

The DALI-CCW 1/2/3 DALI Circle control point can be used to recall three scenes for different room uses and activities via its 3 scene keys arranged in a circular layout. A green illuminated circle segment indicates the active scene.

The central Enter/Leave button is used when entering or leaving the room. This button is illuminated by a surrounding red ring when the room is unoccupied, helping orientation on entering the room.

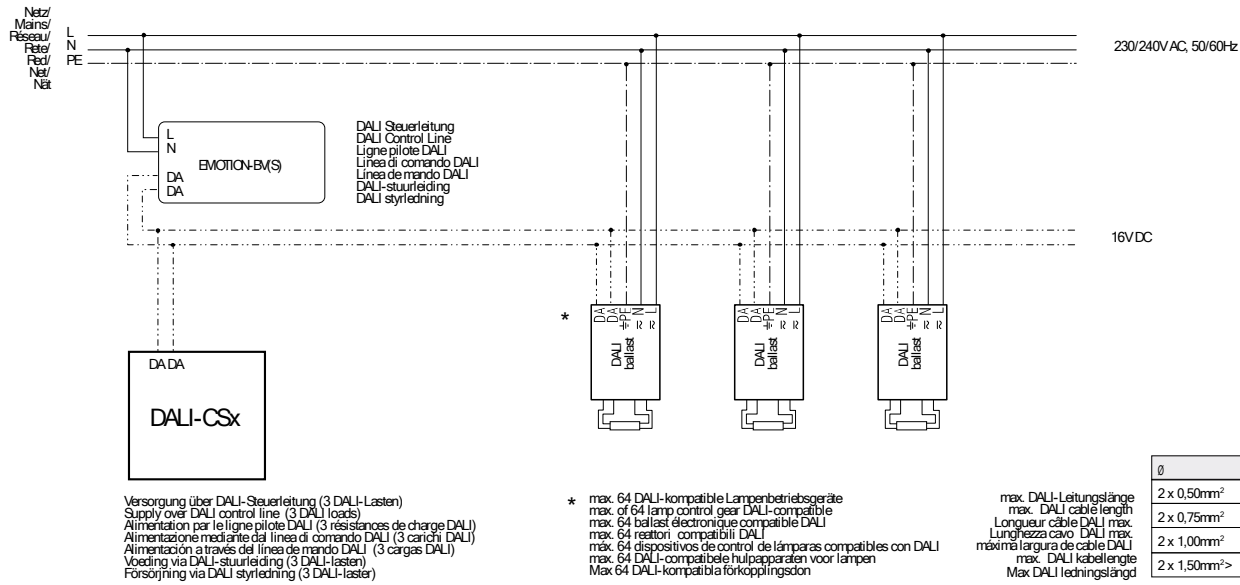
The user can intervene in the active scene at any time. The group rocker-switches can be used for dimming the assigned luminaire group.

Additional facilities:

3 scenes per room:

- Configure
- Save: Use dimming buttons to set the required lighting situation, then press the required scene key "1", "2" or "3" to program it. Press and hold the scene key "1", "2" or "3" for 7 secs and then release during the subsequent 2-sec window when the green LED is flashing
- DALI-output addressing:
 - Re-initialize (clear and address): Press and hold ON/OFF button for 30 secs and then release in the 2-sec window when the LED is flashing
 - System expansion (addressing only): Press and hold ON/OFF button for 15 secs and then release in the 2-sec window when the LED is flashing.
 - Clear single actuators: Press and hold ON/OFF button for 7 secs and then release in the 2-sec window when the LED is flashing.

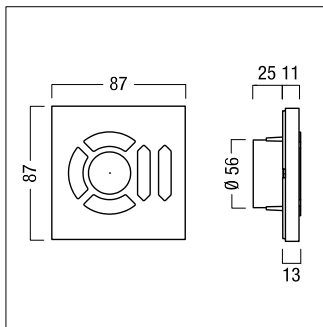
Wiring scheme



Mounting and installation instructions

- The control point is powered solely via the DALI control line and must not be connected to the mains supply.
- We recommend using standard installation parts (2 x 0.75mm² - 2 x 1.5mm²).
- The two DALI control lines are interchangeable
- Use a damp cloth or antistatic wipe to clean the control point

Dimension



Technical data

Nominal voltage	DALI voltage (approx. 16 V DC)
Permitted input voltage	12...22.5 V DC
Power supply	via DALI control line (16V DC)
Current consumption	3 DALI loads (6 mA)
Power loss	< 0.1 W
Operation	Come/Go key, 3 scene keys, 2 light rocker keys
Terminals	0,5-1,5 mm ²
Protection type	IP20
Housing material	plastic, halogen-free
Case colour	white (equivalent to RAL 9010)
Installation	in Euro box, single, dimensions according to DIN 0606 (diameter 60 mm, depth 42 mm), or UK metal back box
Dimensions	87 x 87 x 13 (in mm, upper section only)
Permissible ambient temperature ta	0 °C ... +50 °C
Weight	Approx. 0.15 kg

Label/connections

