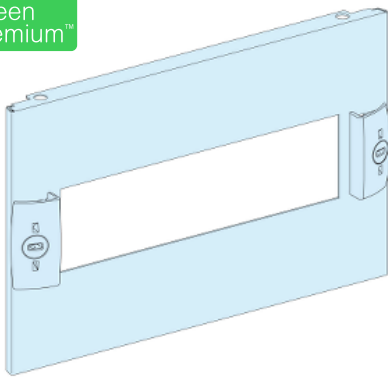


Product data sheet

Specifications



MODULAR FRONT PLATE W300 4M

03214

Main

Range	Prisma
Range of product	Prisma G Prisma P
Product or component type	Front plate
Accessory / separate part category	Installation accessory
Range compatibility	Prisma G duct Prisma P cubicle
Type of front plate	Modular Cut-out
Installed device	Acti 9: fixed modular device Multi 9: fixed modular device ComPact: fixed INS100 - control: direct front rotary handle - vertical installation ComPact: fixed INS125 - control: direct front rotary handle - vertical installation ComPact: fixed INS160 - control: direct front rotary handle - vertical installation ComPact: fixed INS40 - control: direct front rotary handle - vertical installation ComPact: fixed INS63 - control: direct front rotary handle - vertical installation Acti 9: fixed C120 without earth leakage protection - control: toggle Acti 9: fixed iC120 without earth leakage protection - control: toggle Multi 9: fixed NG125 without earth leakage protection - control: toggle Multi 9: fixed NG125 NA - control: toggle ComPact: fixed NG160 without earth leakage protection - control: toggle ComPact: fixed NG160 NA without earth leakage protection - control: toggle Acti 9: fixed C120 with earth leakage protection - control: toggle Acti 9: fixed iC120 with earth leakage protection - control: toggle Multi 9: fixed NG125 with earth leakage protection - control: toggle ComPact: fixed NSA125...160 - control: toggle ComPact: fixed NSXm without earth leakage protection - control: toggle - vertical installation ComPact: fixed NSXm with earth leakage protection - control: toggle - vertical installation
Poles description	1 x 3P: modular rail support: INS100 vertical installation 1 x 4P: modular rail support: INS100 vertical installation 1 x 3P: modular rail support: INS125 vertical installation 1 x 4P: modular rail support: INS125 vertical installation 1 x 3P: modular rail support: INS160 vertical installation 1 x 4P: modular rail support: INS160 vertical installation 1 x 3P: modular rail support: INS40 vertical installation 1 x 4P: modular rail support: INS40 vertical installation 1 x 3P: modular rail support: INS63 vertical installation 1 x 4P: modular rail support: INS63 vertical installation 1 x 3P: modular rail support: C120 1 x 4P: modular rail support: C120 1 x 3P: modular rail support: iC120 1 x 4P: modular rail support: iC120 1 x 3P: modular rail support: NG125 1 x 4P: modular rail support: NG125 1 x 3P: modular rail support: NG125 NA 1 x 4P: modular rail support: NG125 NA 1 x 3P: modular rail support: NG160 1 x 4P: modular rail support: NG160 1 x 3P: modular rail support: NG160 NA 1 x 4P: modular rail support: NG160 NA 1 x 3P: modular rail support: NSA125...160 1 x 4P: modular rail support: NSA125...160 1 x 3P or 4P: modular rail support: NSXm vertical installation

Operating position	Vertical
---------------------------	----------

Complementary

Enclosure/Cubicle description	Floor-standing duct - width 300 mm Wall-mounted duct - width 300 mm Cubicle duct - width 400 mm depth 400 mm
Connection position	Direct connection
9 mm pitches	20
Number of 18 mm modules per row	10
Number of vertical modules [50 mm]	4
Standards	IEC 61439-2 IEC 61439-1
Product certifications	ASEFA
Material	Steel
Surface finish	Smooth Matt
Protective treatment	Electrophoresis treatment and hot-polymerised polyester epoxy powder
Colour	White (RAL 9001)
Height	200 mm
Width	300 mm
Net weight	0.4 kg
Quantity per set	Set of 1
Functional unit	<p>300 mm Prisma G floor-standing duct Acti 9 C120 without fixed toggle 3P 1 direct 4</p> <p>300 mm Prisma G wall-mounted duct Acti 9 C120 without fixed toggle 3P 1 direct 4</p> <p>300 mm Prisma G floor-standing duct Acti 9 C120 without fixed toggle 4P 1 direct 4</p> <p>300 mm Prisma G wall-mounted duct Acti 9 C120 without fixed toggle 4P 1 direct 4</p> <p>300 mm Prisma G floor-standing duct Acti 9 iC120 without fixed toggle 3P 1 direct 4</p> <p>300 mm Prisma G wall-mounted duct Acti 9 iC120 without fixed toggle 3P 1 direct 4</p> <p>300 mm Prisma G floor-standing duct Acti 9 iC120 without fixed toggle 4P 1 direct 4</p> <p>300 mm Prisma G wall-mounted duct Acti 9 iC120 without fixed toggle 4P 1 direct 4</p> <p>300 mm Prisma G floor-standing duct ComPact INS100 fixed direct front rotary handle vertical 3P 1 direct 4</p> <p>300 mm Prisma G wall-mounted duct ComPact INS100 fixed direct front rotary handle vertical 3P 1 direct 4</p> <p>300 mm Prisma G floor-standing duct ComPact INS100 fixed direct front rotary handle vertical 4P 1 direct 4</p> <p>300 mm Prisma G wall-mounted duct ComPact INS100 fixed direct front rotary handle vertical 4P 1 direct 4</p> <p>300 mm Prisma G floor-standing duct ComPact INS100 fixed direct front rotary handle vertical 3P 1 direct 5</p> <p>300 mm Prisma G wall-mounted duct ComPact INS100 fixed direct front rotary handle vertical 3P 1 direct 5</p> <p>300 mm Prisma G floor-standing duct ComPact INS100 fixed direct front rotary handle vertical 4P 1 direct 5</p> <p>300 mm Prisma G wall-mounted duct ComPact INS100 fixed direct front rotary handle vertical 4P 1 direct 5</p> <p>400 mm 400 mm Prisma P cubicle ComPact INS100 fixed direct front rotary handle vertical 3P 1 direct 4</p> <p>400 mm 400 mm Prisma P cubicle ComPact INS100 fixed direct front rotary handle vertical 4P 1 direct 4</p> <p>400 mm 400 mm Prisma P cubicle ComPact INS100 fixed direct front rotary handle vertical 3P 1 direct 5</p> <p>400 mm 400 mm Prisma P cubicle ComPact INS100 fixed direct front rotary handle vertical 4P 1 direct 5</p> <p>300 mm Prisma G floor-standing duct ComPact INS125 fixed direct front rotary handle vertical 3P 1 direct 4</p> <p>300 mm Prisma G wall-mounted duct ComPact INS125 fixed direct front rotary handle vertical 3P 1 direct 4</p> <p>300 mm Prisma G floor-standing duct ComPact INS125 fixed direct front rotary handle vertical 4P 1 direct 4</p> <p>300 mm Prisma G wall-mounted duct ComPact INS125 fixed direct front rotary handle vertical 4P 1 direct 4</p> <p>300 mm Prisma G floor-standing duct ComPact INS125 fixed direct front rotary handle vertical 3P 1 direct 5</p> <p>300 mm Prisma G wall-mounted duct ComPact INS125 fixed direct front rotary handle vertical 3P 1 direct 5</p> <p>300 mm Prisma G floor-standing duct ComPact INS125 fixed direct front rotary handle vertical 4P 1 direct 5</p> <p>300 mm Prisma G wall-mounted duct ComPact INS125 fixed direct front rotary handle vertical 4P 1 direct 5</p>

300 mm Prisma G wall-mounted duct Acti 9 C120 with fixed toggle 3P 1 direct 4
 300 mm Prisma G floor-standing duct Acti 9 C120 with fixed toggle 4P 1 direct 4
 300 mm Prisma G wall-mounted duct Acti 9 C120 with fixed toggle 4P 1 direct 4
 300 mm Prisma G floor-standing duct Acti 9 iC120 with fixed toggle 3P 1 direct 4
 300 mm Prisma G wall-mounted duct Acti 9 iC120 with fixed toggle 3P 1 direct 4
 300 mm Prisma G floor-standing duct Acti 9 iC120 with fixed toggle 4P 1 direct 4
 300 mm Prisma G wall-mounted duct Acti 9 iC120 with fixed toggle 4P 1 direct 4
 300 mm Prisma G floor-standing duct Multi 9 NG125 with fixed toggle 3P 1 direct 4
 300 mm Prisma G wall-mounted duct Multi 9 NG125 with fixed toggle 3P 1 direct 4
 300 mm Prisma G floor-standing duct Multi 9 NG125 with fixed toggle 4P 1 direct 4
 300 mm Prisma G wall-mounted duct Multi 9 NG125 with fixed toggle 4P 1 direct 4
 300 mm Prisma G floor-standing duct ComPact NSXm without fixed toggle vertical 3P or 4P 1 direct 7
 300 mm Prisma G wall-mounted duct ComPact NSXm without fixed toggle vertical 3P or 4P 1 direct 7
 300 mm Prisma G floor-standing duct ComPact NSXm without fixed toggle vertical 3P or 4P 1 connection block 7
 300 mm Prisma G wall-mounted duct ComPact NSXm without fixed toggle vertical 3P or 4P 1 connection block 7
 300 mm Prisma G floor-standing duct ComPact NSXm with fixed toggle vertical 3P or 4P 1 direct 7
 300 mm Prisma G wall-mounted duct ComPact NSXm with fixed toggle vertical 3P or 4P 1 direct 7
 300 mm Prisma G floor-standing duct ComPact NSXm with fixed toggle vertical 3P or 4P 1 connection block 7
 300 mm Prisma G wall-mounted duct ComPact NSXm with fixed toggle vertical 3P or 4P 1 connection block 7

Packing Units

Unit Type of Package 1	PCE
Number of Units in Package 1	1
Package 1 Weight	400 g
Package 1 Height	4 cm
Package 1 width	21 cm
Package 1 Length	26 cm
Unit Type of Package 2	CAR
Number of Units in Package 2	10
Package 2 Weight	4.35 kg
Package 2 Height	17 cm
Package 2 width	23 cm
Package 2 Length	27.5 cm
Unit Type of Package 3	P12
Number of Units in Package 3	120
Package 3 Weight	62.64 kg
Package 3 Height	35 cm
Package 3 width	80 cm
Package 3 Length	120 cm

Offer Sustainability

Sustainable offer status	Green Premium product
REACH Regulation	REACH Declaration
REACH free of SVHC	Yes
EU RoHS Directive	Pro-active compliance (Product out of EU RoHS legal scope) EU RoHS Declaration
Toxic heavy metal free	Yes
Mercury free	Yes
RoHS exemption information	Yes
China RoHS Regulation	China RoHS declaration Pro-active China RoHS declaration (out of China RoHS legal scope)

