

LM-4AWS

Occupancy sensor input 4x, ctrl cabinet

Art. no. 22154488

Switch input unit with 4 independent inputs for presence detectors for switching scenes on and off, with integrated OFF delay

Application

The LM-4AWS switch/input unit can be used to integrate occupancy sensors in the LUXMATE installation.

The LM-4AWS has 4 independent channels S1 to S4, each of which can be assigned a dedicated address. It is defined at the addressing stage whether the relevant channel controls a group of outputs or all the outputs.

- Room switch
An input addressed as a room switch controls all the outputs in a room. The relevant channel in the LM-4AWS is addressed by group number 0.
- Group switch
An input addressed as a group switch controls a specific group of outputs in a room. The relevant channel in the LM-4AWS is addressed by the group number (1 - 99) of the group that you wish to control.

Design notes

- In the case of externally connected switching phases, they must coincide with the phase connected to the LM-4AWS!
- Switching contacts with not externally supplied control lamp, RC element and switching thyristors are not clearly identified and must not be used.

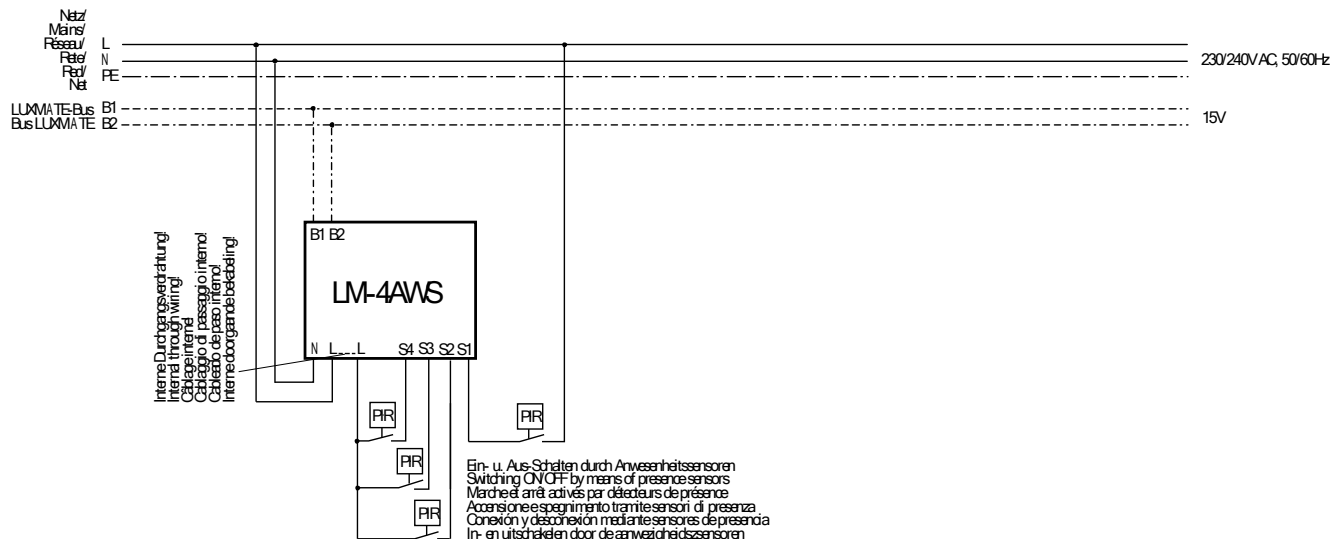


Functional description

Depending on the addressing mode of an input, users can operate all the LUXMATE outputs in a room, or one output group in the room.

The "person present" scene (user-definable) is retrieved by closing the PIR sensor contact (person enters the detection range of the PIR sensor). Once there is no longer anyone in the detection range of the PIR sensor (PIR sensor contact open), the "person absent" scene (user-definable) is run after the adjustable time lag has elapsed.

Wiring scheme



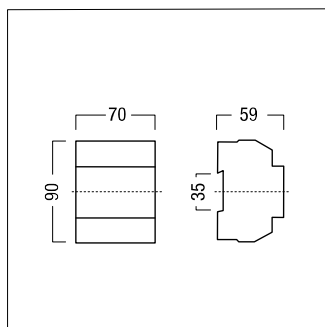
Mounting and installation instructions

- The LM-4AWS is installed in switch and distribution cabinets.
- Two twisted or stranded, unshielded cores (2 x 0.75mm²) are used as bus line; the polarity of the two bus cores is reversible.
- The mains is connected unswitched to terminals L and N.
- The presence detector or movement sensor connected must be suitable for switching 230V.
- The terminals beneath inputs S1 to S4 are internally connected to terminal L. The current through the internal connection must not exceed 1A.
- If required, several presence detectors may be wired in parallel. However, a momentary-action switch must not be used for controlling several inputs.
- If required, several presence detectors may be wired in parallel. The presence detector that is activated first will switch on. Switch-off takes place after the delay period, not until all presence detectors have been deactivated

Technical data

Nominal voltage	230/240 V AC, 50/60 Hz
Permitted input voltage	207-264V AC, 50-60Hz
Power loss	< 2 W
Addressing	1 address per input: Room switch: room address > 0; group address = 0 Group switch: room address > 0; group address > 0
Operating mode	COMMON (all 01)
Terminals	0,75 ... 2,5 mm ²
Protection type	IP20
Housing material	polycarbonate, halogen-free, flame retardant
Installation	On 35 mm top-hat rail according to EN 50022
Dimensions	4 units at 17,5 mm 70 x 90 x 59 (L x W x H, in mm)
Permissible ambient temperature ta	0 °C ... +50 °C
Weight	Approx. 0.2 kg
Miscellaneous	Momentary-action/standard switches or presence detectors from 230V standard installation range

Dimension



Label/connections

