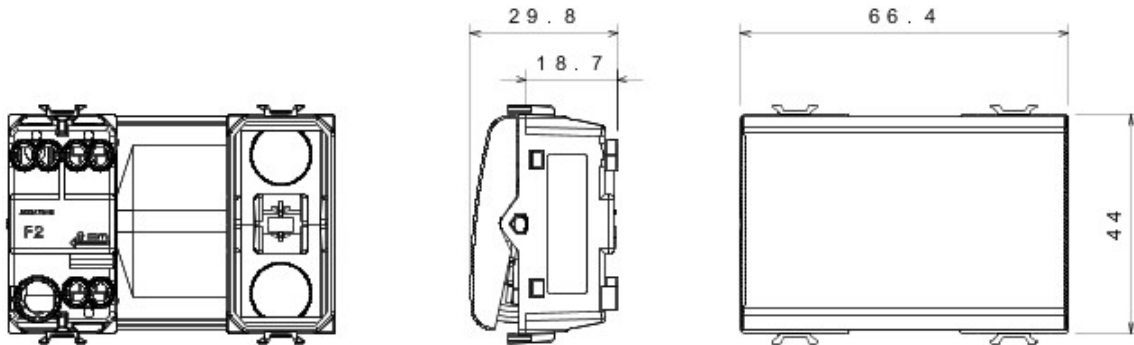


Wide range of switches, energy sockets (compliant with national and international standards), data sockets, devices for the management of climate control, comfort, technical alarms signalling, emergency lighting. The Chorus modular devices are available in five colors, glossy white, satin white, natural beige, satin black, painted titanium and in different modularities, 1/2, 1, 2 and 3 modules. Thanks to the frame supports for rectangular, square and round boxes, the devices allow you to create endless combinations with the range of Chorus plates.

|   |                              |   |                                |
|---|------------------------------|---|--------------------------------|
| Category  | Push-button                  | Button key  | Neutral                        |
| Colour  | Satin White                  | Description   | 1P NO - 16A                    |
| Voltage   | 250 V ac                     | Standard  | EN 60669-1                     |
| Resistance at test voltage                      | 2000 V at 50 Hz for 1 minute | Insulation resistance                               | > 5 MOhm                       |
| Wiring terminals                                | With screw                   | Prolonged operation switch (no.of position changes) | 40.000 at In 250 V ac cosØ=0,6 |
| Thermo-pressure with ball                       | 125 °C                       | Glow Wire Test                                      | 850 °C                         |
| Terminal grip on cable traction                 | > 50 N                       | Terminal tightening capacity stranded cables (mm2)  | min. 0,75 - max. 2x4           |
| Terminal tightening capacity solid cables (mm2) | min. 0,5 - max. 2x2,5        | No. Chorus modules                                  | 3                              |
| Electrocod                                      | 0130                         |   |                                |

### DIMENSIONAL



### TECHNICAL SYMBOLOGY



### STANDARDS/APPROVALS

