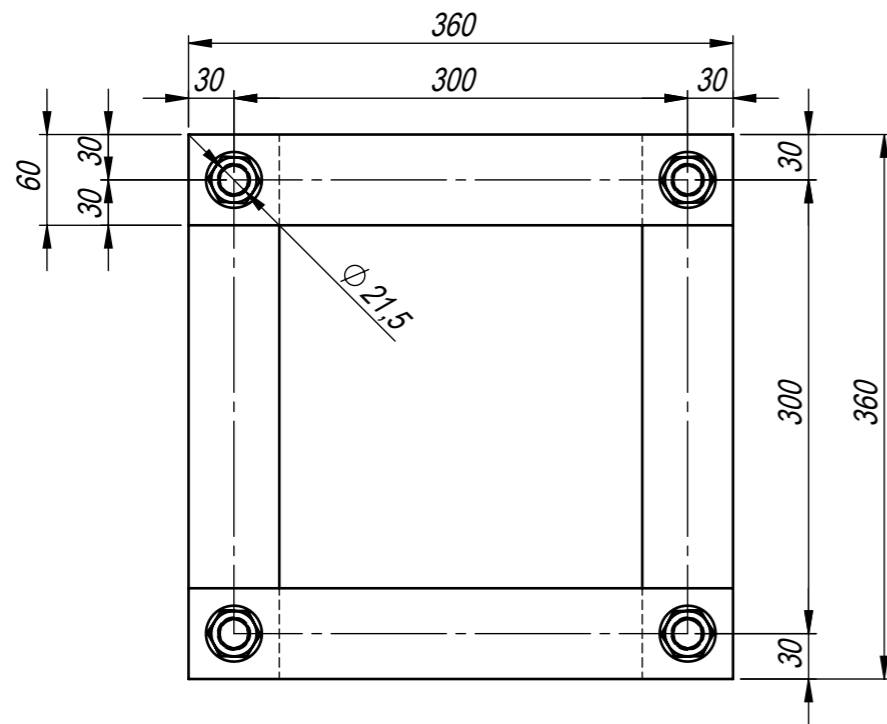
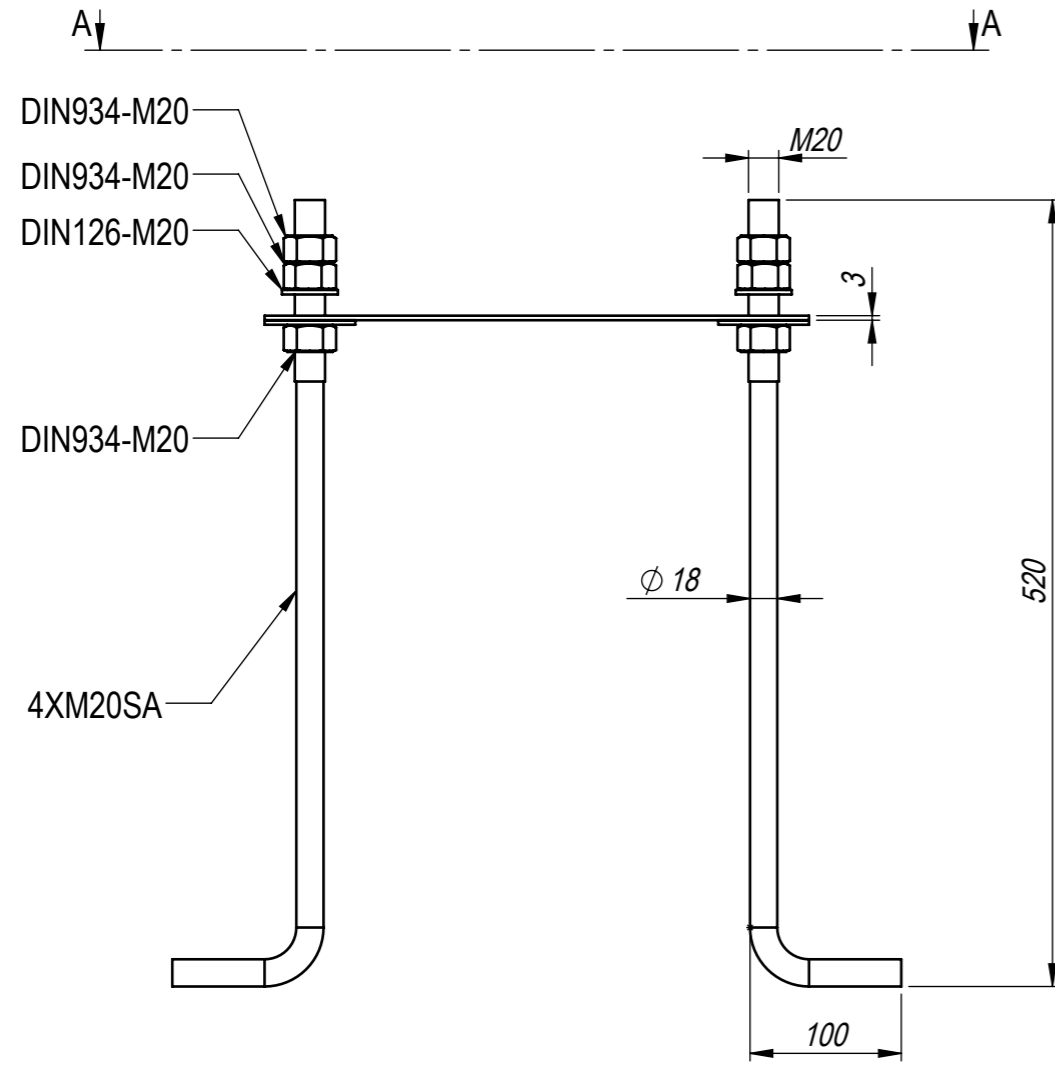
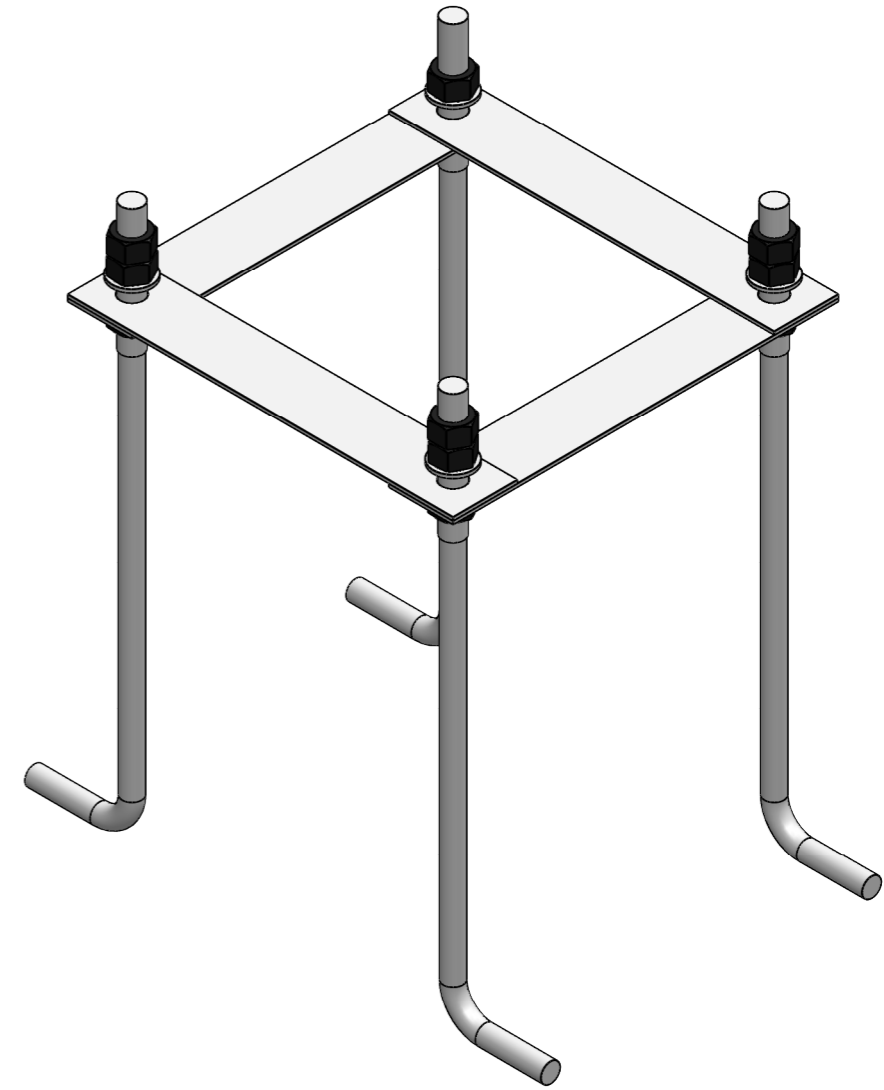


ALL RIGHTS RESERVED. REPRODUCTION OR ISSUE TO THIRTD PARTIES IN ANY FORM  
WHATSOEVER IS NOT PERMITTED WITHOUT WRITTEN AUTHORITY FROM THE PROPRIETORS.

HER HAKKI MAHFUZDUR. YAZILI İZİN OLMADAN DÖKÜMLERİNİ HİÇ BİR KISMI KOPYA, KAYIT,  
BASIM VEYA DİĞER HERHANGİ BİR ŞEKİLDE ÇOGALTIYLAZ VE YAYINLANMAZ.



A-A (1 : 5)



#### REVİZYONLAR / REVISIONS

REV.	TANIM DESCRIPTION	TARİH DATE	ONAY APPROVED
------	----------------------	---------------	------------------

#### GENEL NOTLAR GENERAL NOTES

TÜM ÖLÇÜLER mm'DİR.  
ALL DIMENSIONS ARE IN mm.  
TÜM ÇELİK ELEMANLAR, CIVATA, SOMUN VE RONDELALAR SICAK DALDIRMA GALVANİZDİR. (EN ISO 1461)  
ALL STEEL ITEMS, BOLTS, NUTS & WASHERS TO BE HOT-DIP GALVD. AS PER (EN ISO 1461)  
TASARIM KRİTERLERİNE GÖRE CIVATALAR (ISO 898) 5.8 & 6.8 & 8.8 OLARAK KULLANILABİLİR.  
BOLTS CAN BE USED AS (ISO 898) 5.8 & 6.8 & 8.8 ACCORDING TO DESIGN CRITERIA.

ADI - SOYADI NAME - SURNAME	TARİH DATE	İMZA SİNG	MALZEME MATERIAL	TASARIM NOTLARI DESIGN NOTES
ÇİZEN DRAWN BY <b>KSAVAS</b>	<b>3.10.2019</b>		GÖVDE SHAFT	TASARIM RÜZGAR HIZI DESIGN WIND SPEED
KONTROL CONTROL <b>I.YUCEL</b>	<b>3.10.2019</b>		FLANŞ FLANGE	GÜVENLİK KATSAYISI FACTOR OF SAFETY
ONAY APPROVAL <b>K.CANBALOĞLU</b>	<b>3.10.2019</b>		DİĞER OTHER	TASARIM STANDARDI DESIGN STANDART

### PAD11-PAD12 AC OUTLINE

SİP/TEK.NO ORDER NUMBER	STANDART			REV 0	
PAFTA NO DRAWING NUMBER	PAD11-PAD12 AC				
TARİH DATE	3.10.2019				
AĞIRLIK WEIGHT					
BÖLÜM DEPARTMENT	POLİGON	SHEET 1 OF 1	ÖLÇEK SCALE 1:10	A3	