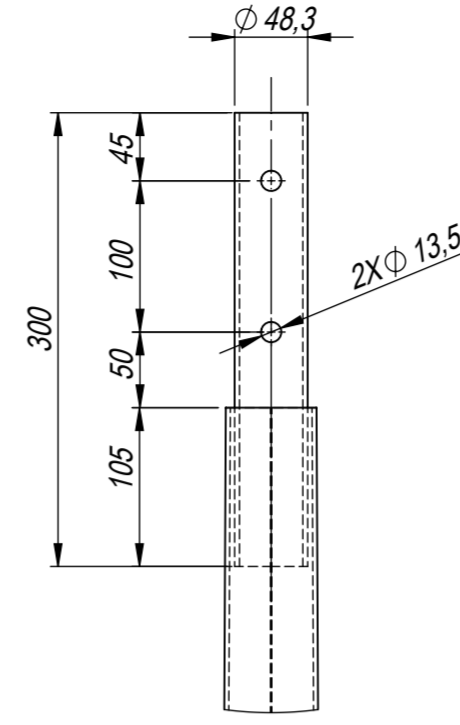
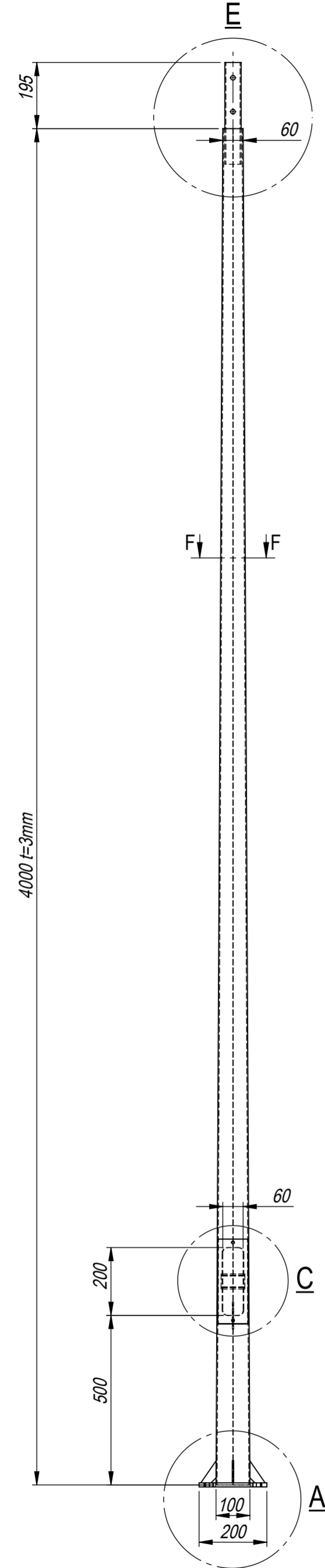
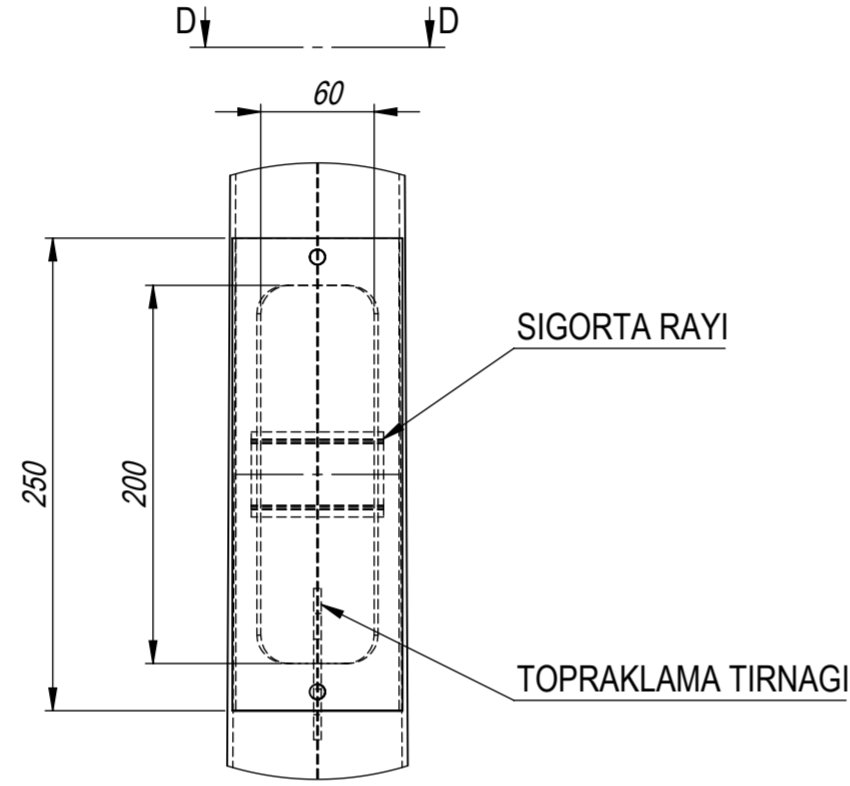


ALL RIGHTS RESERVED. REPRODUCTION OR ISSUE TO THIRD PARTIES IN ANY FORM WHATSOEVER IS NOT PERMITTED WITHOUT WRITTEN AUTHORITY FROM THE PROPRIETORS.

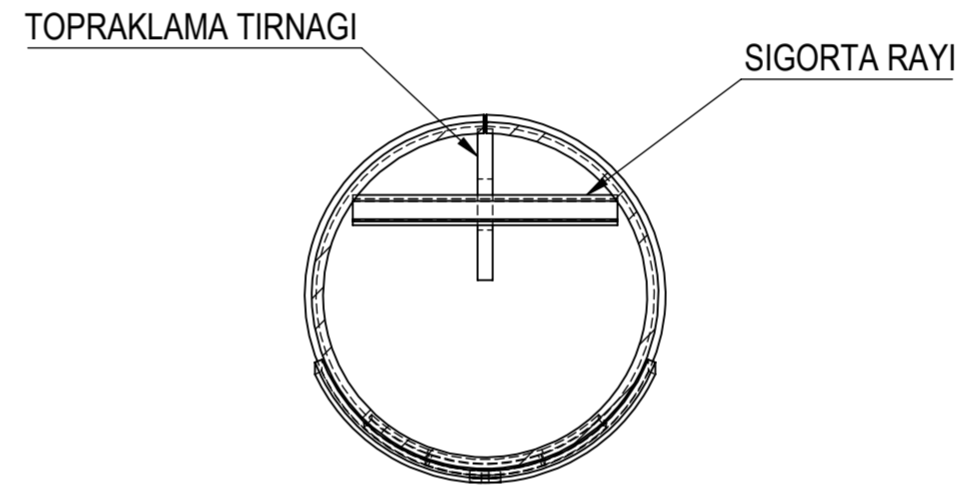
HER HAKKI MAHFUZDUR. YAZILI IZIN OLMADAN DOKÜMANLARIN HIÇ BİR KISMI KOPYA, KAYIT, BASIM VEYA DİĞER HERHANGİ BİR ŞEKİLDE ÇOĞALTIYLAZ VE YA YINLANMAZ.



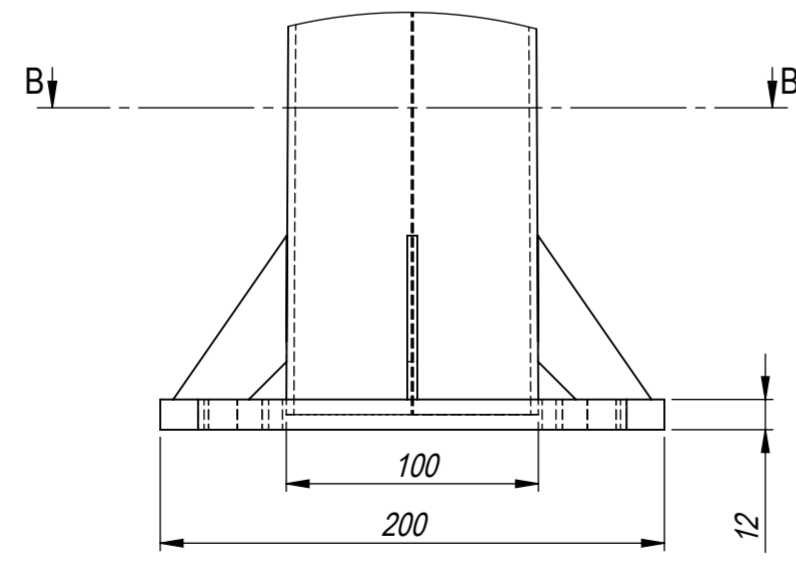
DETAIL E  
SCALE: 1/5



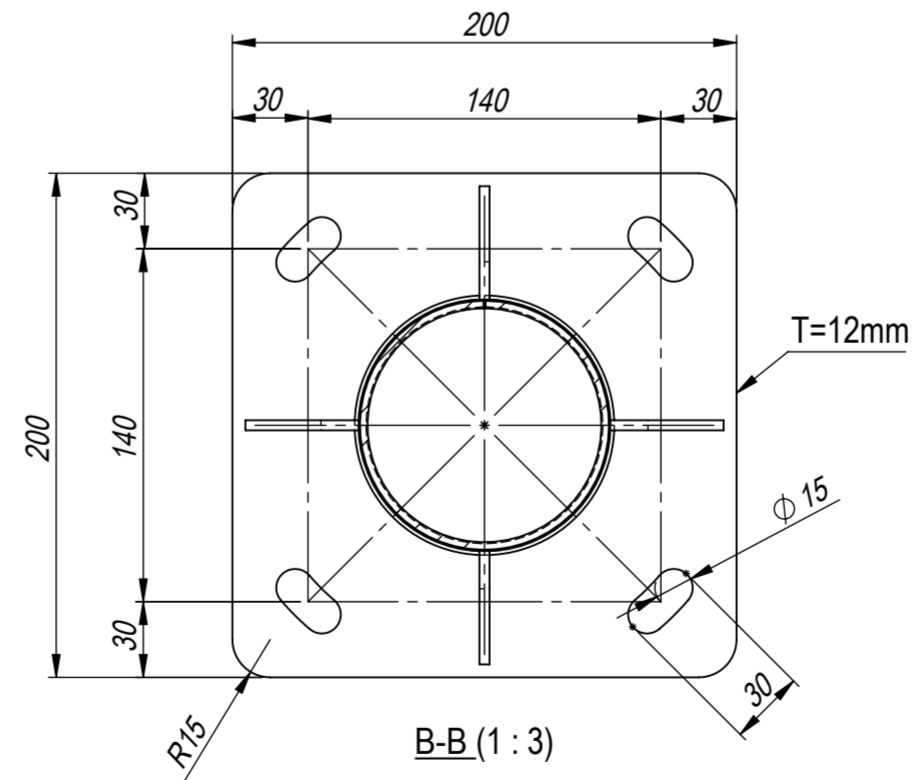
DETAIL C  
SCALE: 1/4



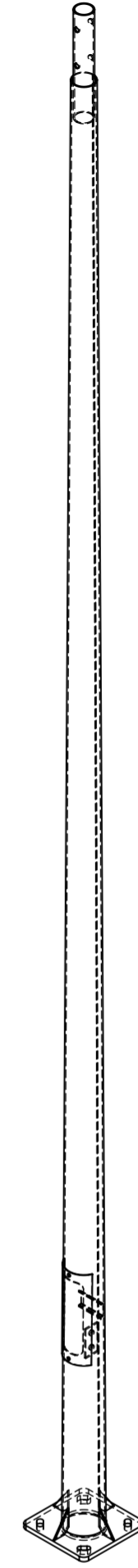
D-D (1:2)



DETAIL A  
SCALE: 1/3



B-B (1:3)



REVİZYONLAR / REVISIONS					
REV.	TANIM DESCRIPTION	TARİH DATE	İMZA SIGN	ONAY APPROVED	
<b>GENEL NOTLAR</b> GENERAL NOTES					
TÜM ÖLÇÜLER mm'DİR. ALL DIMENSIONS ARE IN mm.					
TÜM ÇELİK ELEMANLAR, CIVATA, SOMUN VE RONDALALAR SICAK DALDIRMA GALVANİZDİR. (EN ISO 1461) ALL STEEL ITEMS, BOLTS, NUTS & WASHERS TO BE HOT-DIP GALV. AS PER (EN ISO 1461)					
TASARIM KRİTERLERİNE GÖRE CIVATALAR (ISO 898) 5.8 & 6.8 & 8.8 OLARAK KULLANILABİLİR. BOLTS CAN BE USED AS (ISO 898) 5.8 & 6.8 & 8.8 ACCORDING TO DESIGN CRITERIA.					
ADİ - SOYADI NAME - SURNAME	TARİH DATE	İMZA SIGN	MALZEME MATERIAL	TASARIM NOTLARI DESIGN NOTES	
CİZEN DRAWN BY	HİNCE	20.06.2019	GÖVDE SHAFT	S235	TASARIM RÜZGAR HIZI DESIGN WIND SPEED
KONTROL CONTROL	I.YUCEL	20.06.2019	FLANŞ FLANGE	S235	GÜVENLİK KATSAYISI FACTOR OF SAFETY
ONAY APPROVAL	K.CANBALOĞLU	20.06.2019	DİĞER OTHER	S235	TASARIM STANDARTI DESIGN STANDART
<b>DAD0-40-TBN=12MM OUTLINE</b>					
SİPTEK NO ORDER NUMBER	417004787				
PAFTA NO DRAWING NUMBER	DAD0-40-TBN=12MM				
TARİH DATE	26.06.2019				
AĞIRLIK WEIGHT	26825.99				
BÖLÜM DEPARTMENT	POLİGON	SHEET 1 OF 1	ÖLÇEK SCALE	1:20 A2	REV 0

MİTAŞ ENDÜSTRİ