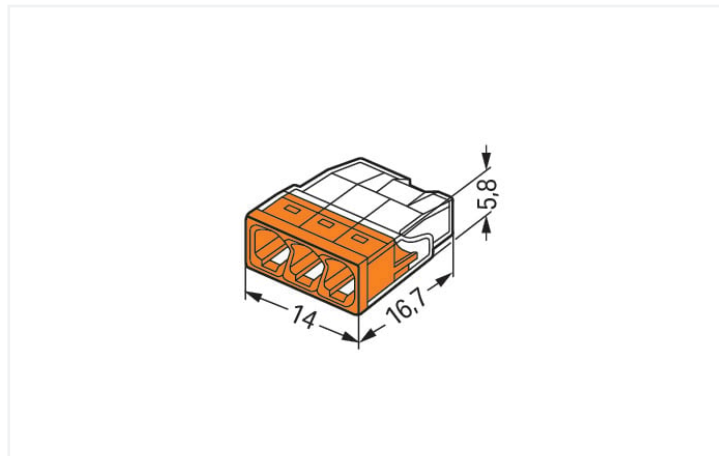


## Data Sheet | Item Number: 2273-203

Conector COMPACT; pentru conductori unifilari; max. 2,5 mm<sup>2</sup>; 3 conductori; carcasă transparentă; capac portocaliu; Temperatură aer ambiant: max 60°C (T60); 2,50 mm<sup>2</sup>

<https://www.wago.com/2273-203>



Dimensions in mm

### Advantages:

- Convenient wiring via extremely compact design
- Push-in termination of up to eight solid conductors
- Cross-section range: 0.5 ... 2.5 mm<sup>2</sup>
- Any combination of conductor sizes is possible
- PUSH WIRE® connection terminates solid ("s") copper conductors

### Notes

Safety information

in grounded power lines

### Electrical data

| Ratings per          | IEC/EN 60998 |     |       |
|----------------------|--------------|-----|-------|
| Overvoltage category | III          | III | II    |
| Pollution degree     | 3            | 2   | 2     |
| Nominal voltage      | -            | -   | 450 V |
| Rated surge voltage  | -            | -   | 4 kV  |
| Rated current        | -            | -   | 24 A  |

| Approvals per | UL 486C |   |   |
|---------------|---------|---|---|
| Use group     | B       | C | D |
| Rated voltage | -       | - | - |
| Rated current | -       | - | - |

### Connection data

|                            |   |
|----------------------------|---|
| Connection points          | 3 |
| Total number of potentials | 1 |

| Connection 1                    |                    |
|---------------------------------|--------------------|
| Connection technology           | PUSH WIRE®         |
| Actuation type                  | Push-in            |
| Connectable conductor materials | Copper<br>Aluminum |

## Connection 1

Connectable conductor materials (note)

### Terminating Aluminum Conductors

WAGO spring clamp terminal blocks are suitable for solid aluminum conductors up to 4 mm<sup>2</sup>/12 AWG if WAGO "Alu-Plus" Contact Paste [249-130](https://www.wago.com/249-130) is used for termination.

"Alu-Plus" Contact Paste Advantages:

- Automatically destroys the oxide film during clamping.
- Prevents fresh oxidation at the clamping point.
- Prevents electrolytic corrosion between aluminum and copper conductors (in the same terminal block).
- Provides long-term protection against corrosion.

For spring clamp connections with PUSH WIRE® connection technology, **WAGO recommends that the aluminum conductor first be cleaned** and then immediately inserted into the clamping unit filled with "Alu-Plus" contact paste.

It is also possible to apply WAGO "Alu-Plus" **additionally** on the whole surface of the aluminum conductor before termination.

Please note that the nominal currents must be adapted to the reduced conductivity of the aluminum conductors::

2.5 mm<sup>2</sup> = 16 A

4 mm<sup>2</sup> = 22 A

|                  |   |
|------------------|---|
| Solid conductor  | 0,5 ... 2,5 mm <sup>2</sup> / 20 ... 16 AWG |
| Strip length     | 11 mm / 0.43 inci                           |
| Wiring direction | Side-entry wiring                           |

## Physical data

|        |                      |
|--------|----------------------|
| Width  | 14 mm / 0.551 inci   |
| Height | 5,8 mm / 0.228 inci  |
| Depth  | 16,7 mm / 0.657 inci |

## Material data

|                             |  |
|-----------------------------|--|
| Note (material data)        | <a href="https://www.wago.com/us/material-specifications">Information on material specifications can be found here</a> |
| Cover color                 | orange   |
| Flammability class per UL94 | V2   |
| Fire load                   | 0.019 MJ   |
| Weight                      | 1 g  |

**Environmental requirements**

|                                  |        |
|----------------------------------|--------|
| Ambient temperature (operation)  | +60 °C |
| Continuous operating temperature | 105 °C |
| Temperature marking per EN 60998 | T60    |

**Commercial data**

|                       |                     |
|-----------------------|---------------------|
| Product Group         | 7 (Push Wire Conn.) |
| eCl@ss 10.0           | 27-14-11-04         |
| eCl@ss 9.0            | 27-14-11-04         |
| ETIM 8.0              | EC000446            |
| ETIM 7.0              | EC000446            |
| PU (SPU)              | 1000 (100) Buc.     |
| Packaging type        | Box                 |
| Country of origin     | DE                  |
| GTIN                  | 4050821027850       |
| Customs tariff number | 85369010000         |

**Environmental Product Compliance**

|                        |                         |
|------------------------|-------------------------|
| RoHS Compliance Status | Compliant, No Exemption |
|------------------------|-------------------------|