

**Data Sheet | Item Number: 221-412**

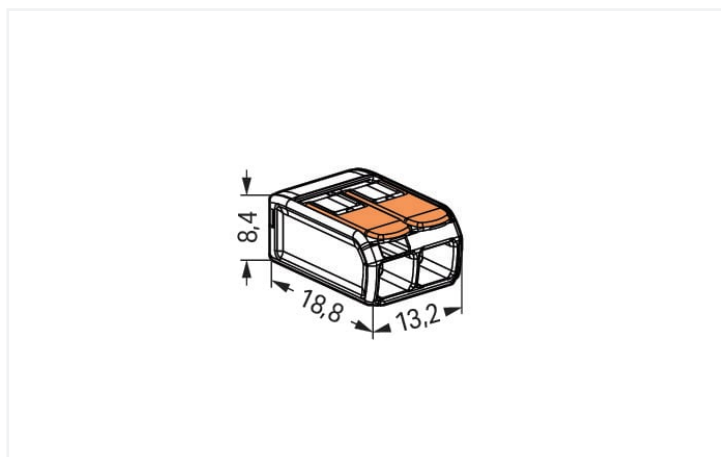
Conector COMPACT; pentru toate tipurile de conductori; max. 4 mm<sup>2</sup>; 2 conductori;  
cu levieri; carcasă transparentă; Temperatură aer ambiant: max 85°C (T85); 4,00  
mm<sup>2</sup>; transparent



<https://www.wago.com/221-412>



Color:  transparent



Dimensions in mm

## Your benefits:

- Ease of use – pull the lever up, insert a conductor and push the lever back down
- Available as 2-, 3- and 5-wire connectors
- Easily terminate conductors from 0.14 to 4 mm<sup>2</sup>
- Connect solid, stranded and fine-stranded conductors
- Save time for installers and device manufacturers
- Quickly install devices with higher power consumption
- Safely install long cable runs with larger conductor cross sections
- Mounting carrier for installation conforms to standards
- Custom carriers are possible

## Electrical data

Ratings per				EN 60664			Approvals per				UL 486C				
Overvoltage category	III	III	II	Use group	B	C	D	Rated voltage	-	600 V	-	Rated current	-	20 A	-
Pollution degree	3	2	2	Rated surge voltage	-	-	4 kV	Rated current	-	-	-	-	-	-	-
Nominal voltage	-	-	450 V	Rated current	-	-	32 A								

## Connection data

Connection points		2		Connection 1			
Total number of potentials	1	Connection technology	CAGE CLAMP®			Actuation type	Lever
		Connectable conductor materials	Copper			Nominal cross-section	4 mm <sup>2</sup> / 12 AWG
		Solid conductor	0,2 ... 4 mm <sup>2</sup> / 24 ... 12 AWG			Stranded conductor	0,2 ... 4 mm <sup>2</sup> / 24 ... 12 AWG
		Fine-stranded conductor	0,14 ... 4 mm <sup>2</sup> / 24 ... 12 AWG			Strip length	11 mm / 0.43 inci
		Wiring direction	Side-entry wiring				

## Physical data

Width	13,2 mm / 0.52 inci
Height	8,4 mm / 0.331 inci
Depth	18,8 mm / 0.732 inci

## Material data

Note (material data)	<a href="https://www.wago.com/us/material-specifications" href="_blank">Information on material specifications can be found here</a>
Color	transparent
Insulation material	Polycarbonate (PC)
Flammability class per UL94	V2
Fire load	0.049 MJ
Actuator color	orange
Weight	1.7 g

**Environmental requirements**

Ambient temperature (operation)	+85 °C
Continuous operating temperature	105 °C
Temperature marking per EN 60998	T85

**Commercial data**

Product Group	7 (Push Wire Conn.)
eCl@ss 10.0	27-14-11-04
eCl@ss 9.0	27-14-11-04
ETIM 8.0	EC000446
ETIM 7.0	EC000446
PU (SPU)	1000 (100) Buc.
Packaging type	Box
Country of origin	DE
GTIN	4050821808435
Customs tariff number	85369010000

**Environmental Product Compliance**

RoHS Compliance Status	Compliant, No Exemption
------------------------	-------------------------