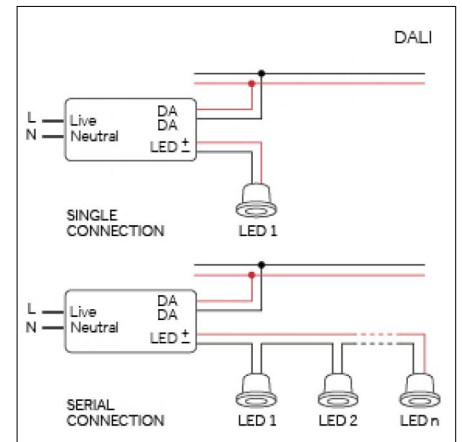
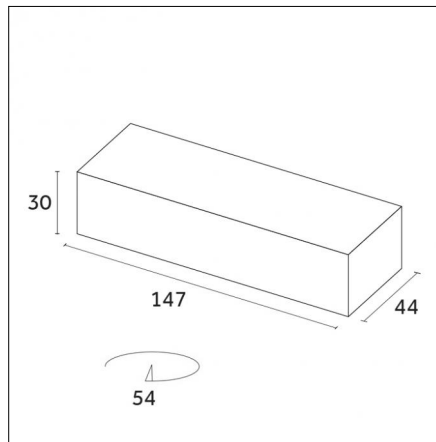


Driver



CUT
OUT

Code D.30431.0000

Electrical features

Max power: 18W

Dimming: DALI

mA: 350mA

Vdc: 198-264Vac, 170-280Vdc

Frequency: 0/50/60Hz

Vf: 18-36V

Physical features

Height: 30mm

Width: 44mm

Length: 144mm

Cut-out: 54mm

Notes assembly diagram:

Twisted shielded pair cable - Cable section : 1,5mmq - Max Distance : 20m

- differential noise lower than 3dB
- Measurement to be done at a distance of 1 meter
- Value related to each single device

Luminaire constructed in conformity with Directives 2014/35/EU (LV), 2014/30/EU (EMC), 2009/125/EC (Ecodesign) with Regulations (EC) No 245/2009, (EU) No 347/2010 and (EU) 2015/1428 (for luminaires with fluorescent and metal halide lamps only), 2009/125/EC (Ecodesign) with Regulations (EU) No 1194/2012 and 2015/1428 (for LED luminaires only), 2011/65/EU (RoHS 2) and 2012/19/EU (WEEE).

Reggiani Lighting Srl

Viale Monza, 16 20845 Sovico (MB) Italy
Tel. (+39) 039 2071.1 fax (+39) 039 2071 999

www.reggiani.net
contact@reggiani.net