

ONLITE central eBox OCM-ECD output circuit module

Art. no. 22168594

Application

The ONLITE central eBox OCM-ECD is an output circuit module for supplying and monitoring 20 emergency and escape sign luminaires per circuit for 230V AC / 216 V DC with full bidirectional DALI communication.

All connected ECD or LDE type luminaires can be switched and monitored as part of the complete circuit or as individual luminaires. Mixed operation of maintained and non-maintained modes or switched continuous lighting can be configured using the Web user interface of the ONLITE central eBox MS 1200/1700. If individual-luminaire addressing is not needed, then calibration for the circuit monitoring can be activated manually by service PIN or via the display of the ONLITE central ebox.

For theatre/cinema applications, an external lighting management control can be imported via the DI/DI terminals ("true DALI in") and assigned to the two output circuits.

Design notes

Up to three output circuit modules can be fitted in each ONLITE central eBox MS 1200/1700, or in the ONLITE central eBox SUBxx distribution stations by plugging them into the multipole male edge connector whilst the power is off, and then screwing them in place.

The output circuit modules are each fitted with fuses rated 3.15 AT, which can be loaded to 60% of this level according to the standard. The power available for each output circuit is 420 VA and 200 W for DC operation.

5-pole wiring is used for the luminaires in the final circuits (L/N/PE/DA/DA).



Functional description

External lighting management control can be input via the DI terminal (DALI in) as a single-luminaire address or even as a broadcast command and applied to the luminaires via the two final circuits. The "true DALI" function ensures that there is an active DALI representative permanently available for lighting management. In addition, after any eBox event such as a functional test or service life test, the last light-management lighting scene is resumed without any additional handshaking.

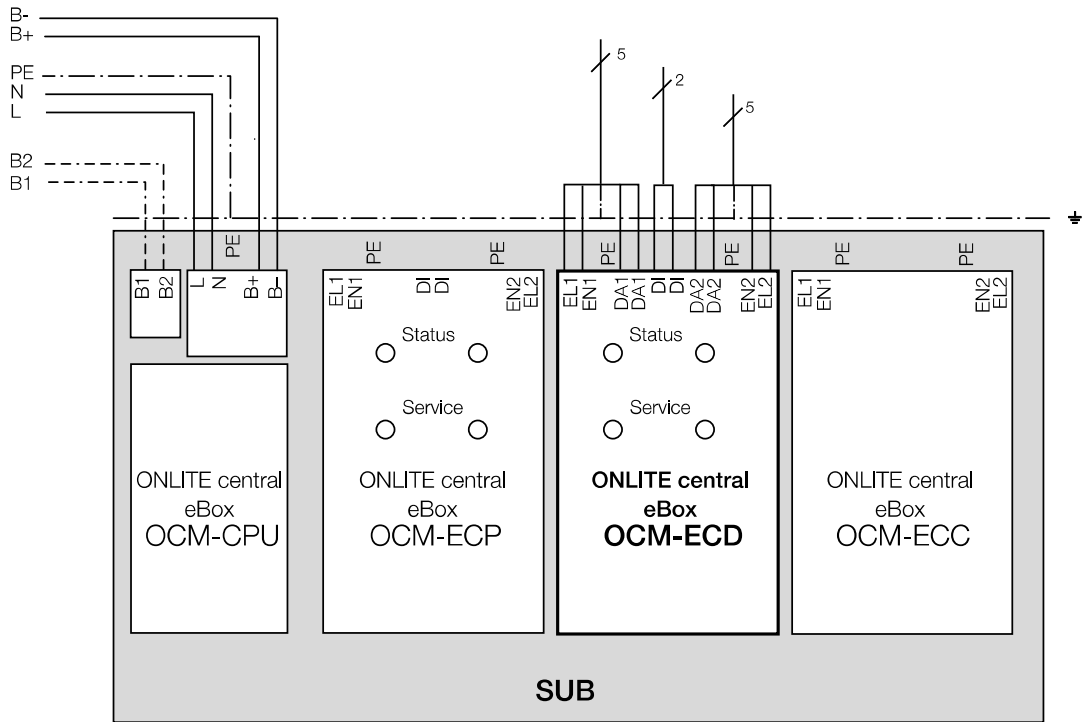
Status LED

green, flickering occasionally	operating correctly
green, switching on/off regularly every 2 seconds	system has frozen
orange.	emergency operation
orange, switching on/off regularly every 0.5 seconds	Test mode (functional test or service life test) or calibration of output circuits
red	failure of CPU or EEPROM
red, flickering	Fault in output circuit
red, switching on/off regularly every 4 seconds	system bus failure
green-red: 4 secs green, flickering occasionally – 0.5 secs red	lamp fault

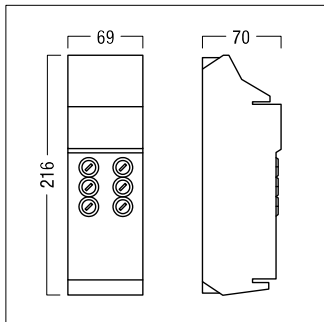
Wiring scheme

zum Hauptverteiler
to main distribution unit
vers le répartiteur principal
al ripartitore principale
al distribuidor principal
naar hoofdverdelers

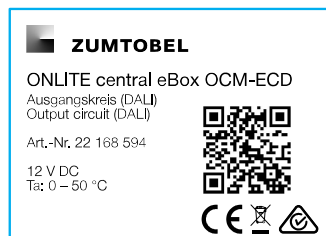
Systembus
system bus
bus système
bus di sistema
bus de sistema
systeembus



Dimension



Label/connections



Technical data

Output voltage	230 V 50 Hz / 216 V DC (189 - 249 V DC)
Power	AC: 420 VA per circuit DC: 200 W per circuit
DALI control wiring	NYM 3 x 1.5 mm ² (H05VV-U 3 x 1.5), max. 300m NYM 3 x 2.5 mm ² (H05VV-U 3 x 2.5), max. 500m
Miscellaneous	Testing: TÜV Rheinland / CE / EN 50171 for EN 50172 compliant installations
Dimensions	216 x 69 x 70 (L x W x H, in mm)
Housing material	polycarbonate
Installation	Torx TX20 screw fastening
Miscellaneous	Edge connector: 96 way male connector
Case colour	grey (RAL 7012)
Protection type	IP20
Protection class	Class II (double-insulated)
Permissible ambient temperature ta	0-50 °C
Interface	Systembus (B1, B2)
Miscellaneous	output terminals: 1.5 - 2.5 mm ² (solid wire or stranded) input terminals: 0.75 - 2.5 mm ² (solid wire or stranded)
Weight	Approx. 0.4 kg
Miscellaneous	Fuses: 6 x 3.15 AT microfuse 6 x 32 mm