

LM-4UAS

Universal input 4x, switch cabinet

Art. no. 22154732

Switching/dimming input with 4 independent inputs for scene recall and dimming with conventional momentary action switches

Application

The LM-4UAS universal input can be used to integrate motion sensors, time switches, momentary-action or standard switches in a Zumtobel LUXMATE installation for running scenes, dimming etc.

The LM-4UAS has 4 independent inputs S1 - S4, each of which can be assigned a dedicated address. It is defined at the addressing stage whether the relevant input controls a group of outputs or all the outputs in a room.

Design notes

An authorised Zumtobel service engineer can create the functions of the LM-SWE, LM-SCE, LM-SDE, LM-SJE, LM-SSE(V), LM-SME and LM-4AWS from the LM-4UAS for each channel.

When delivered, the LM-4UAS corresponds to an LM-SDE.

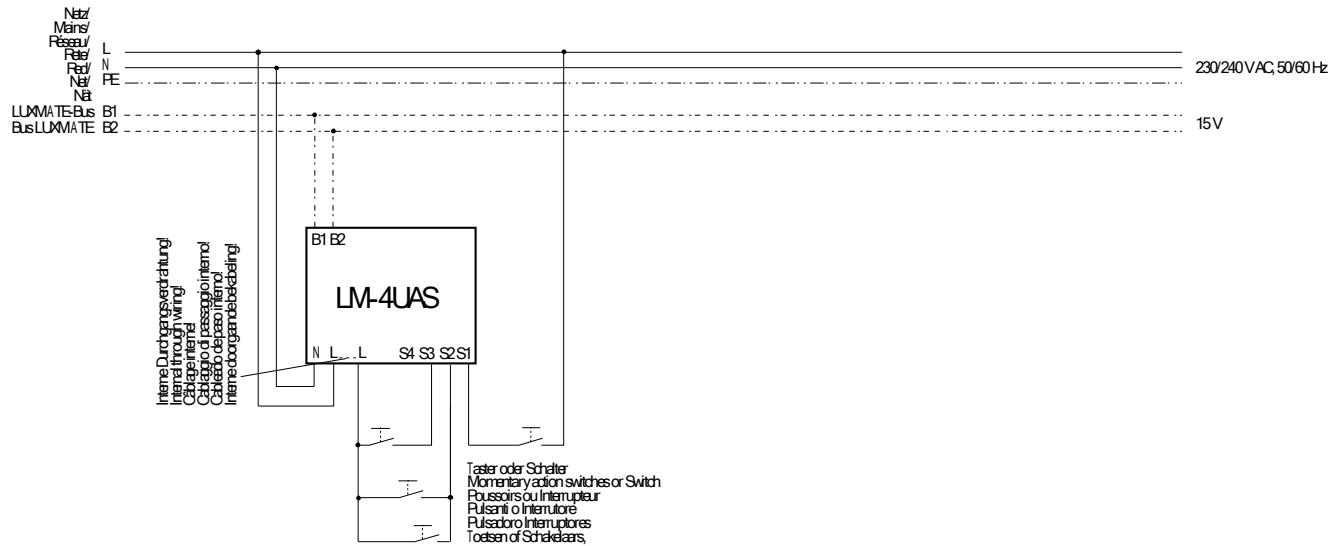
The LM-4UAS is available as a factory pre-configured model:
LM-4UAS(V): part no. 22154731



Functional description

Depending on the addressing of an input, users can control all the luminaires in a room jointly, or one luminaire group. Briefly pressing one of the momentary-action switches connected to the four inputs toggles between the scenes e.g. "absent" (scene 0) and "absent" (scene 1); holding down the switch alternately raises or lowers the dimming level for the entire lighting or one luminaire group in a room.

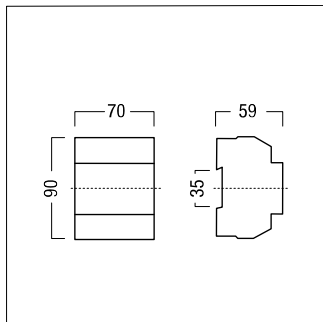
Wiring scheme



Mounting and installation instructions

- Installation in switch cabinets on 35 mm top-hat rail complying with EN 50022.
- Two twisted or stranded non-shielded conductors (2 x 0,75mm²) are used for the bus line; the polarities of the two bus lines may be reversed.
- The mains is connected to terminals L and N unswitched.
- All connected inputs must have identical phases.

Dimension



Technical data

Nominal voltage	230/240 V AC, 50/60 Hz
Permitted input voltage	207-264V AC, 50-60Hz
Power loss	< 2 W
Inputs	LUXMATE bus, 4 single-pin inputs
Addressing	1 address per input: Room switch: room address > 0; group address = 0 Group switch: room address > 0; group address > 0
Operating mode	COMMON (all) at short press of button INTENS (brightness) at long press of button
Terminals	0,75 ... 2,5 mm ²
Installation	On 35 mm top-hat rail according to EN 50022
Dimensions	4 units at 17,5 mm 70 x 90 x 59 (L x W x H, in mm)
Housing material	polycarbonate, halogen-free, flame retardant
Permissible ambient temperature t_a	0 °C ... +50 °C
Weight	Approx. 0.26 kg
Protection type	IP20
Miscellaneous	Momentary action switches from 230 V standard range

Label/connections

