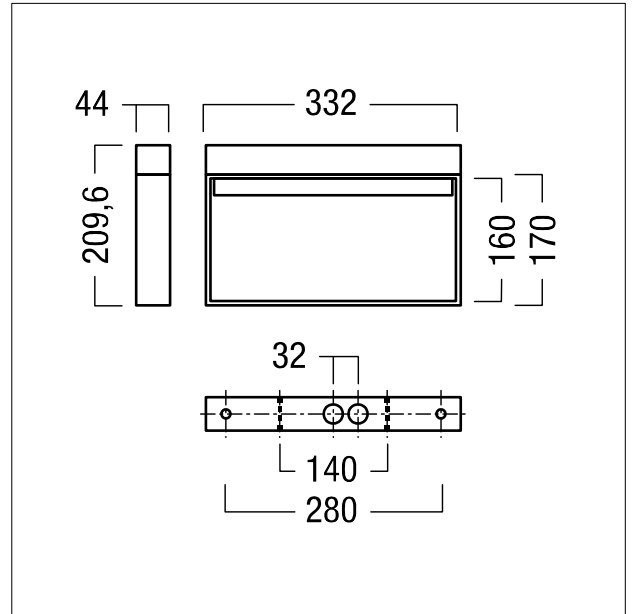


Escape sign luminaire

LED Escape sign luminaire, Luminaire for central emergency light supply, with circuit monitoring, without single monitoring of the luminaire. surface mounted; housing made of polycarbonate white (RAL 9016), injection moulded; control unit with NFC interface for addressing, configuration and maintenance via PROset Pen (article no.: 22170290) or PROset app; luminaire easy to install; zero maintenance thanks to LED technology; service life of 50,000 h at constant luminous flux. Uniform backlighting of pictogram; luminance > 500 cd/m² in the white area. Power supply: 220/240 V AC; Luminaire input power: 5.8 W; degree of protection: IP54, class of protection: SC2; Impact strength: IK05; Luminaire in maintained mode; Maintained mode: -40 °C to +35 °C, non-maintained mode: -40 °C to +40 °C; power supply: 220-240 V AC (+/- 10 %) 50-60 Hz, ; dimensions of luminaire including escape sign: 332 x 44 x 210 mm; weight: 0.36 kg; Luminaire wired with halogen-free leads; Luminaire with D symbol (for use in environments in which the accumulation of non-conductive dust on the luminaire can be expected)



ZS_ONL_F_CRO_160_AB_Nx.jpg



ZS_ONL_M_CROS_160_AB_LED.wmf

Light Distribution

STD - standard

- Light Source: LED
- Luminaire luminous flux*: 84 lm
- Luminaire efficacy*: 14 lm/W
- Ballast: 1 x 89800572 EM powerLED NPS 5W ZUM
- Rated median useful life*:
L90 50000 h at 25 °C
- Luminaire input power*: 5.8 W Power factor = 0.77
- Standby Power*: 0.5 W
- Maintenance category CIE 97: E - Dust-proof IP5X

All values marked with an * are rated values. Connected electrical load and luminous flux are subject to an initial tolerance of +/- 10%, the most similar colour temperature is subject to an initial tolerance of +/- 150K. Unless stated otherwise, the values apply to an ambient temperature of 25°C.