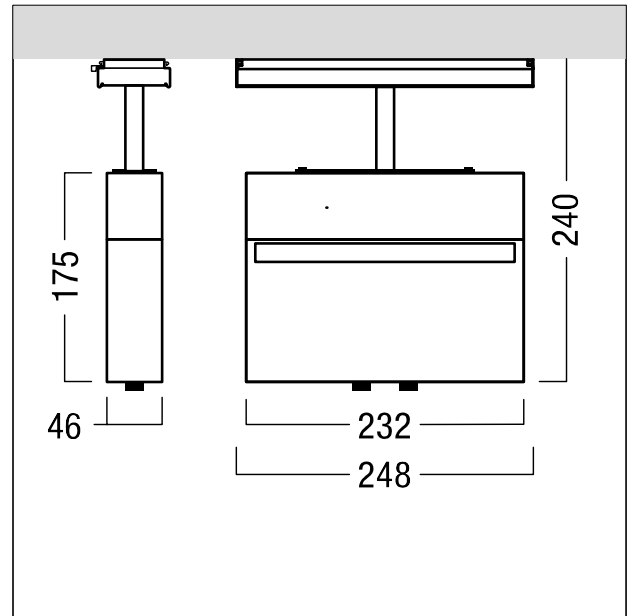


Escape sign luminaire

LED Escape sign luminaire, Luminaire for central emergency light supply, for single monitoring of the luminaire via Powerline in connection with the eBox System, settable emergency light level; Can be connected to the TECTON continuous-row system without tools; possible to rotate luminaire through 90° and to lock it in position; ; housing made of polycarbonate white (RAL 9016), injection moulded; addressing also alternatively possible visually or via EZ-addressing; luminaire easy to install; zero maintenance thanks to LED technology; 2 supplementary high power LEDs and asymmetric lenses adjustable through 360° for escape route lighting; uniform backlighting of pictogram; luminance > 500 cd/m² in the white region; Luminaire input power: 6.2 W; protection rating: IP20, class of protection: SC1; Impact strength: IK05; non-maintained and maintained mode possible, Maintained mode: -40 °C to +40 °C, non-maintained mode: -20 °C to +45 °C; power supply: 220-240 V AC (+/- 10 %), 50-60 Hz; dimensions of luminaire including escape sign: 248 x 60 x 240 mm; weight: 1.25 kg; Luminaire wired with halogen-free leads; max. line length from emergency power source to last luminaire: 300 m; please order escape sign separately



ZS_ONL_F_CRO_110_TEC_ERI_GP_WH.jpg



ZS_ONL_M_CROS_110_TEC_LED_ERI_GP.wmf

Light Distribution

STD - standard

- Light Source: LED
- Luminaire luminous flux*: 62 lm
- Luminaire efficacy*: 10 lm/W
- Ballast: 1 x 89800573 EM powerLED NSI DIM 5W ZUM
- Rated median useful life*:
L90 50000 h at 25 °C
- Luminaire input power*: 6.2 W Power factor = 0.77
- Standby Power*: 1.95 W
- Dimming: PLC dimmable to 10%
- Maintenance category CIE 97: D - Enclosed IP2X

All values marked with an * are rated values. Connected electrical load and luminous flux are subject to an initial tolerance of +/- 10%, the most similar colour temperature is subject to an initial tolerance of +/- 150K. Unless stated otherwise, the values apply to an ambient temperature of 25°C.