

Voyager Solid

THORN

96629761 <VOYAGER SOLID MS E3-S WH

LED 3W VYSO_OP	IEC EN 60598-1 RG 0	UK CA	IP65	IK07	CE	T _a 5/40
----------------	---------------------	-------	------	------	----	---------------------

Voyager Solid

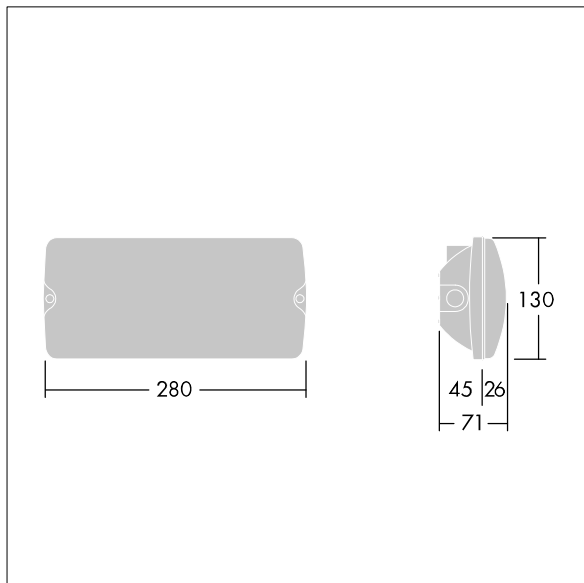
Surface mounted LED emergency lighting luminaire for ceiling and wall. Electronic, fixed output control gear with 3 hour, manual test, emergency lighting circuit. Body: small size, white polycarbonate. Cover: transparent polycarbonate. Class II electrical, IP65. Internal ISO legends available for 23 m viewing distance (96629767, to be ordered separately).

Self-contained emergency luminaires rely on long-lasting batteries. Thorn batteries are robust and comes with a three-year guarantee (applicable subject to the terms and conditions of and to the extent as set forth in the manufacturer's guarantee on Thorn products, which shall be applicable analogously and which is available under http://www.thornlighting.com/en/products/5-year-guarantee/5-year-warranty/terms-of-guarantee_en.pdf. The battery guarantee shall not come into effect if the product has been installed later than three(3) months after delivery EXW (Incoterms 2010).

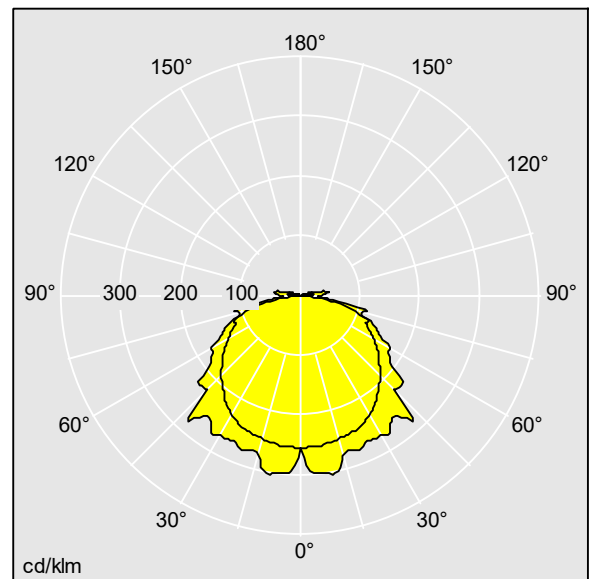
Dimensions: 280 x 130 x 71 mm
Luminaire input power: 3.1 W
Weight: 0.63 kg



TLG_VYSO_F_OPS.jpg



TLG_VYSO_M_LDS.wmf



TLTP_VYSO_E3OP.ltd

Lamp position: With opal insert
Light Source: LED
Luminaire luminous flux*: 81 lm
Luminaire efficacy*: 26 lm/W
Colour Rendering Index min.: 80
Correlated colour temperature*: 5250 Kelvin

Rated median useful life*:
L90 50000 h at 25 °C
Ballast: 1x EL2
Luminaire input power*: 3.1 W Power factor = 0.35
Charging power: 0.63 W
Dimming: FO
LOR: 1,01 ULOR: 0,04 DLOR: 0,97

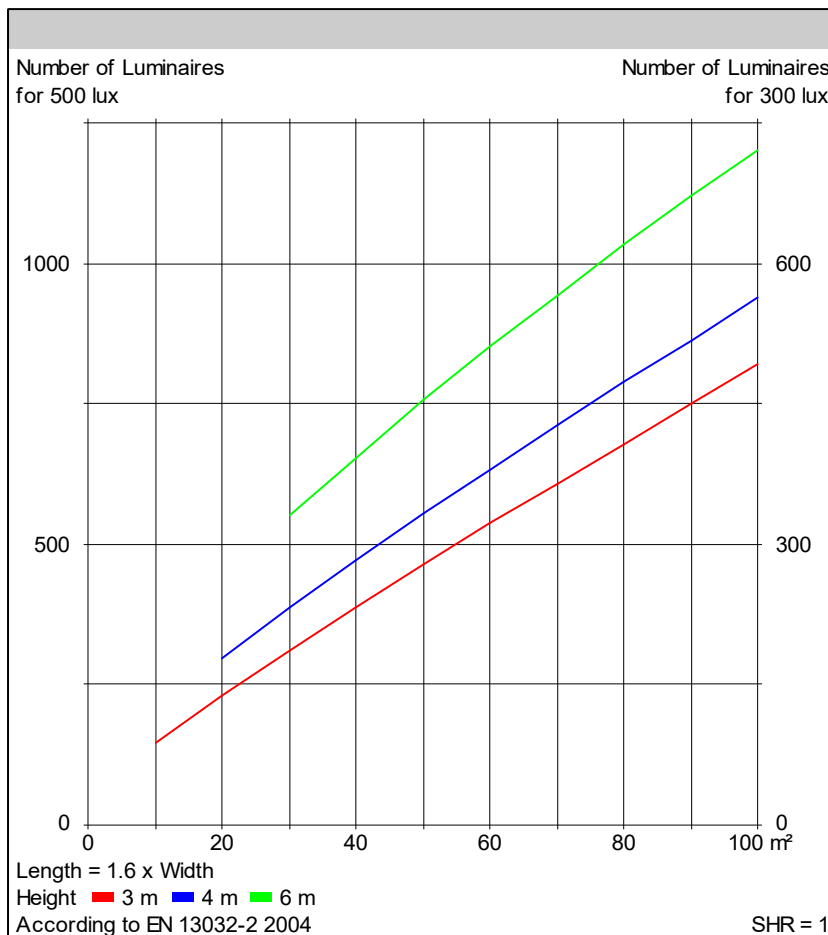
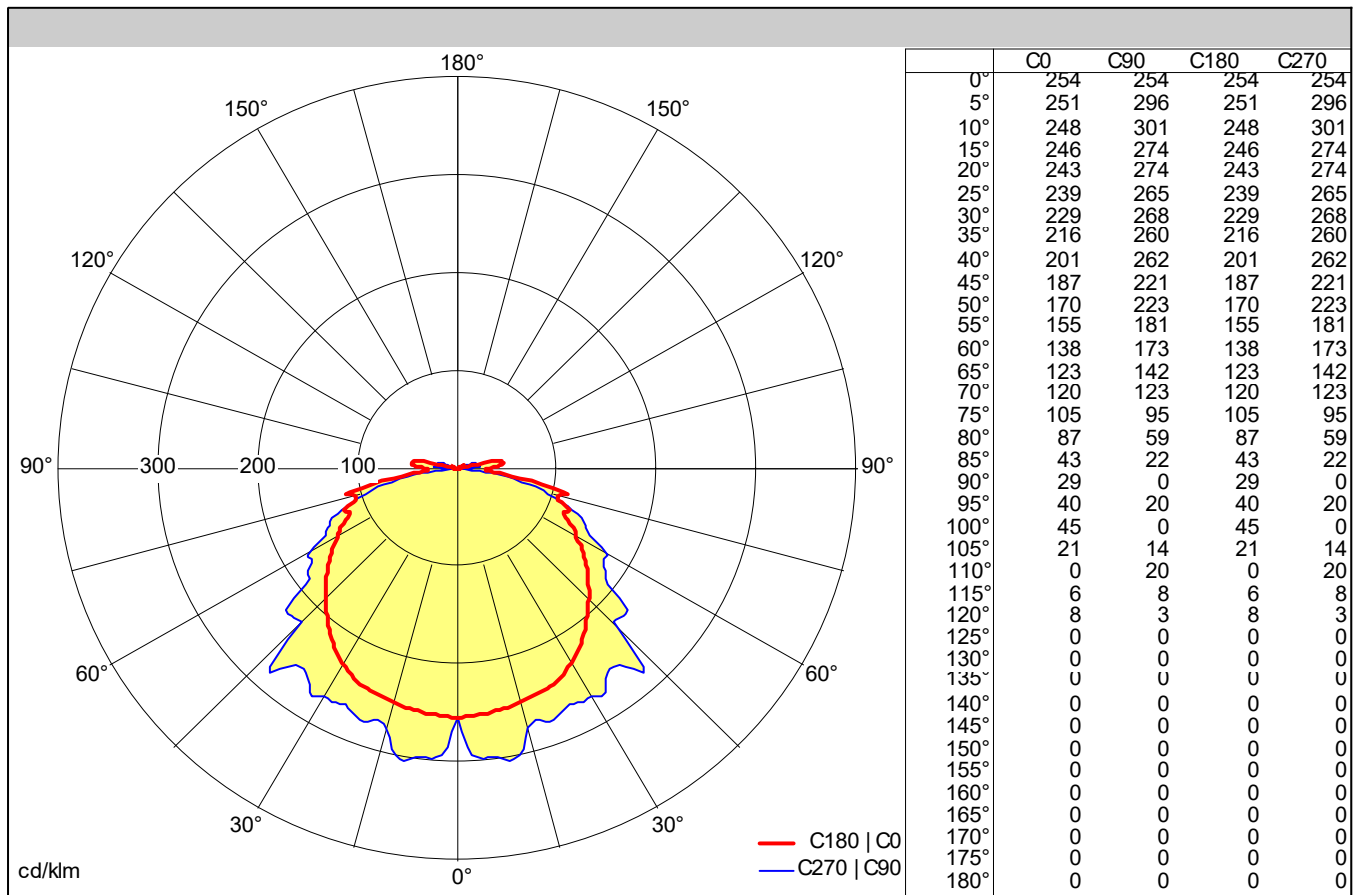
All values marked with an * are rated values. Thorn uses tried and tested components from leading suppliers, however there may be isolated instances of technology-related failures of individual LEDs during the rated product lifetime. International standards set the tolerance in initial flux and connected load at $\pm 10\%$. Unless stated otherwise, the values apply to an ambient temperature of 25°C. Risk group

Thorn Lighting is constantly developing and improving its products. The right is reserved to change specifications without prior notification or public announcement.
© Thorn Lighting

Voyager Solid

96629761 <VOYAGER SOLID MS E3-S WH

THORN



Light output ratio	
LOR	101 %
ULOR	4 %
DLOR	97 %
FFR	0.04 (4:96)
BLF	1.00

Glare Evaluation	
X = 4 H, Y = 8 H	S = 0.25 H
Reflection factors	70/50/20
UGR transversal	<19
UGR axial	<19

Classification	
LITG	A31
EN	55°<1500cd/m² 65°<1500cd/m²
BZ	BZ5
UTE	0.97 E + 0.04 T
CIE Flux Codes	41 71 91 96 101

Photometric data file: TLTP_VYSO_E3OP.ltd