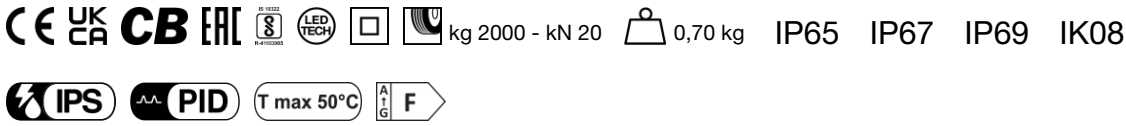
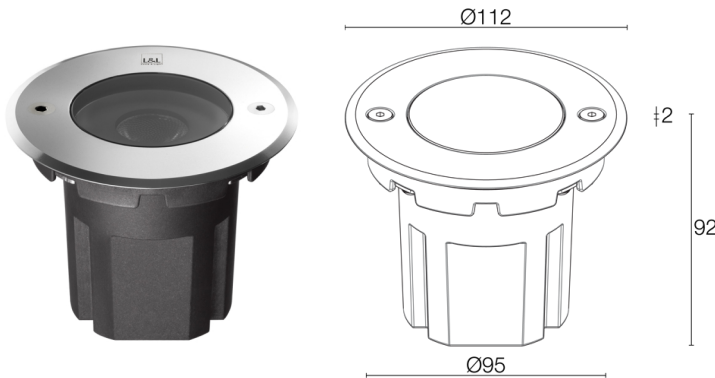


Made in Italy

■ Corso 2.0, code: CR2010000050SI
Recessed for outdoor applications



03/07/2025 Rev. 16/2024



DESCRIPTION

recessed for outdoor applications; drive-over up to 2000 kg; recessed (wall, floor); Power consumption: 8W; Power supply: 110-230Vac; Lumen output at source: 657 lm (3000K); Delivered lumen output: 504 lm (3000K, 36°); 1 power LED High Intensity, 3-step MacAdam, 50 000h L90 B10 (Ta 25°C); LED colour: 3000K; Optics: 12°: optical system consisting of a high-efficiency TIR lens combined with a high-quality technical filter; CRI Colour Rendering Index: 80; Body material: body made of heat-dissipating, carbon-fibre-reinforced semicrystalline technopolymer with a thermal conductivity equal to that of stainless steel and high resistance to impact and sub-zero temperatures, and to corrosion even in harsh environments (saline). Trim in AISI 316L stainless steel, made with a CNC lathe.; Screen material: 10-mm-thick transparent extra-clear glass, high transmittance to ensure chromatic uniformity of light, serigraphed grey and tempered for excellent resistance to knocks and scratches; Seals: the silicone rubber gaskets guarantee maximum resistance to UV rays and unchanging mechanical characteristics over time; Installation: product complete with IP68 connector and built-in IPS system. Compatible with H07RN-F cable with minimum cross-section 2x1 and cable Ø min. 7 mm max. 12 mm. Simplified connection for quick, effective installation; built-in power supply unit; Ingress protection: IP65, IP67, IP69; Impact resistance: IK08; Fast installation: direct connection between fixture and mains power supply; Protection systems: IPS (Intelligent Protection System) protects lighting fixtures from water infiltrations, which can occur if there are faulty junctions between the cables in outdoor or underwater applications. This innovation, patented by L&L, also guarantees electrical protection against polarity reversal, hot plugging, ESD and power surges, which can occur if there are faults in the electrical circuit; The PID (Protective Impedance Device) protects lighting fixtures from electrical phenomena external to the system, such as static electricity accumulation or electromagnetic interference coming from the mains power. Generally, these are events with a low energy content; Operating temperature: -20°C — +45°C; Maximum device temperature: 50°C (Ta 25°C); Glow wire test: 960°C; Photobiological safety: in accordance with IEC TR 62778:2014; Appliance class: class II; Weight: 700 g; Dimensions: Ø112x92 mm; Energy efficiency class: F (light source) in accordance with EU 2019/2015; Accessories: WC0105 Outer casing; tested and approved via E.O.L. (End Of Line) test with functioning test and check of electrical power consumption

Status: Available

ELECTRICAL CHARACTERISTICS

Power consumption	8W
Power supply	110-230Vac
Power supply unit	built-in power supply unit

LIGHTING CHARACTERISTICS

Number and type of LED	1 power LED High Intensity
Average LED life	50 000h L90 B10 (Ta 25°C)
LED colour	3000K
CRI Colour Rendering Index	80
Binning	3-step MacAdam
Optics	12°
Lumen output at source	657 lm (3000K)
Delivered lumen output	504 lm (3000K, 36°)

MECHANICAL CHARACTERISTICS

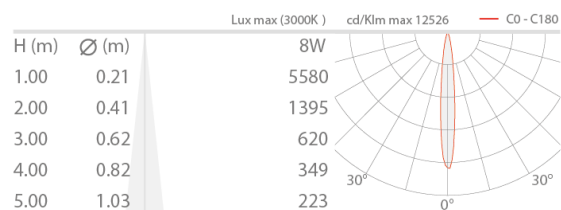
Dimensions	Ø112x92 mm
Weight	700 g
Mounting	with outer casing
Body material	body in thermally conductive technopolymer, trim in AISI 316L stainless steel
Screen material	screen in serigraphed-grey and transparent, tempered extra-clear glass

GENERAL CHARACTERISTICS

Ingress protection	IP65, IP67, IP69
Operating temperature	-20°C — +45°C
Impact resistance	IK08
Features	Fast installation: direct connection between fixture and mains power supply
Energy efficiency class	F (light source) in accordance with EU 2019/2015
Glow wire test	960°C
Maximum device temperature	50°C (Ta 25°C)
Appliance class	class II
Walkover	yes
Drive-over	up to 2000 kg
Protection systems	IPS (Intelligent Protection System); PID (Protective Impedance Device)
Photobiological safety	in accordance with IEC TR 62778:2014

PHOTOMETRIC DATA

S - 12°



ACCESSORIES

Installation Accessories



WC0105

Outer casing

L&L Luce&Light SRL reserves the right to change the information contained in this document at any time without prior notice being given.