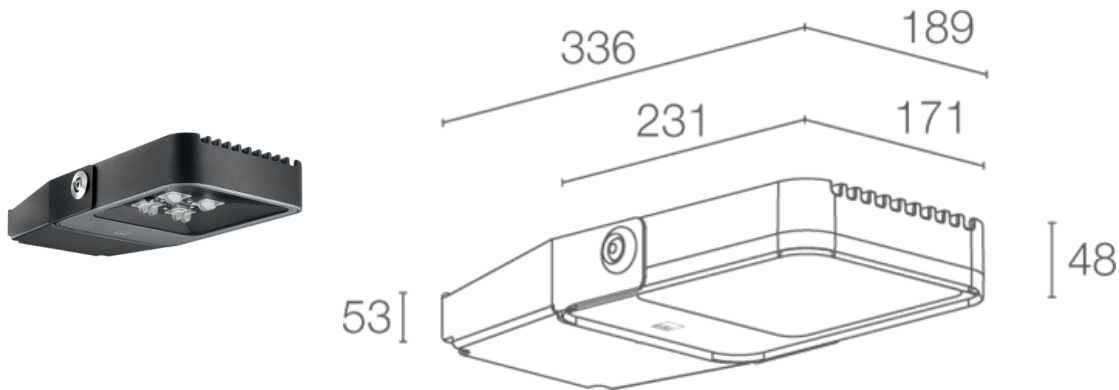
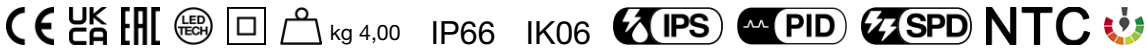


Made in Italy

■ Siri Blvd 3.0, code: SL30109AH  
Urban lighting

26/06/2025 Rev. 08/2024



## DESCRIPTION

Urban lighting; surface mounted (wall); Power consumption: 38W; Power supply: 230Vac; Lumen output at source: 3402 lm (3000K); Delivered lumen output: 2110 lm (3000K, pedestrian zone); 4 high-intensity power LEDs, 3-step MacAdam, 50 000h L90 B10 (Ta 25°C); LED colour: 4000K; Optics: pedestrian zone; CRI Colour Rendering Index: 80; Body material: body in die-cast aluminium; Finishes: anthracite; RAL finish on request; Screen material: screen in serigraphed, tempered extra-clear glass; built-in power supply unit; includes 1.50 m neoprene cable H05RN-F 2x1,0 Ø7 mm; Control system: ON/OFF; Ingress protection: IP66; Impact resistance: IK06; Max exposed surface: 0,056 m<sup>2</sup>, Lateral surface: 0,016 m<sup>2</sup>; DALI version available on request; Protection systems: IPS (Intelligent Protection System) protects lighting fixtures from water infiltrations, which can occur if there are faulty junctions between the cables in outdoor or underwater applications. This innovation, patented by L&L, also guarantees electrical protection against polarity reversal, hot plugging, ESD and power surges, which can occur if there are faults in the electrical circuit; The PID (Protective Impedance Device) protects lighting fixtures from electrical phenomena external to the system, such as static electricity accumulation or electromagnetic interference coming from the mains power. Generally, these are events with a low energy content; The SPD (Surge Protection Device) protects lighting fixtures from electrical phenomena external to the system, such as power surges. In particular, this device is specifically for protection against serious events with a high energy content; This is an NTC thermistor mounted on the LED board to protect the lighting fixture against overheating. Should the product function at an operating temperature greater than the maximum temperature at which it can operate correctly, the protection is activated and gradually reduces the power. The NTC causes the integrated electronic parts to cool down to avoid the lighting fixture instantly switching itself off. When the operating temperature is again within normal range, the NTC automatically restores the lighting fixture's original operating conditions; Operating temperature: -20°C — +45°C; Glow wire test: 960°C; Photobiological safety: photobiological safety: risk group 1 according to EN 62471:2006; Appliance class: class II; Weight: 4000 g; Dimensions: 189x336x53 mm; Energy efficiency class: F (light source) in accordance with EU 2019/2015; Accessories: WD0700H Angled wall bracket; tested and approved via E.O.L. (End Of Line) test with functioning test and check of electrical power consumption

Status: Available

### ELECTRICAL CHARACTERISTICS

Power consumption	38W
Power supply	230Vac
Power supply unit	built-in power supply unit
Control system	ON/OFF

### LIGHTING CHARACTERISTICS

Number and type of LED	4 high-intensity power LEDs
Average LED life	50 000h L90 B10 (Ta 25°C)
LED colour	4000K
CRI Colour Rendering Index	80
Binning	3-step MacAdam
Optics	pedestrian zone
Lumen output at source	3402 lm (3000K)
Delivered lumen output	2110 lm (3000K, pedestrian zone)

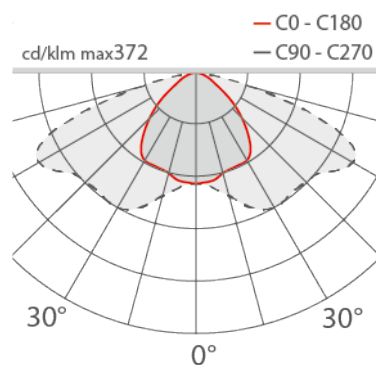
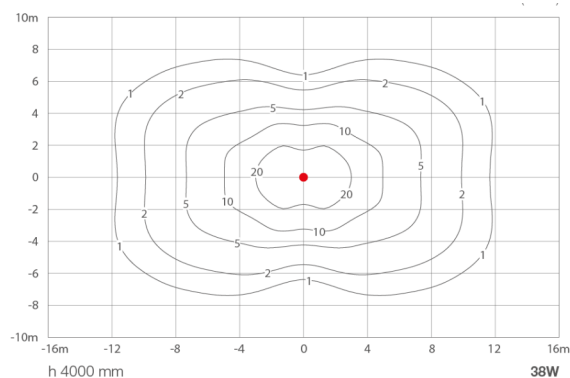
### MECHANICAL CHARACTERISTICS

Dimensions	189x336x53 mm
Weight	4000 g
Finishes	anthracite
Mounting	surface mounted (wall)
Body material	body in die-cast aluminium
Screen material	screen in serigraphed, tempered extra-clear glass

### GENERAL CHARACTERISTICS

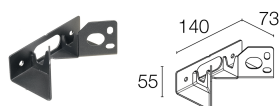
Ingress protection	IP66
Operating temperature	-20°C – +45°C
Impact resistance	IK06
Features	Max exposed surface: 0,056 m <sup>2</sup> , Lateral surface: 0,016 m <sup>2</sup>
Energy efficiency class	F (light source) in accordance with EU 2019/2015
Glow wire test	960°C
Appliance class	class II
Walkover	no
Drive-over	no
Power cables	includes 1.50 m neoprene cable H05RN-F 2x1,0 Ø7 mm
Protection systems	IPS (Intelligent Protection System); PID (Protective Impedance Device); SPD (Surge Protection Device); NTC (thermistor mounted on LED board)
Photobiological safety	photobiological safety: risk group 1 according to EN 62471:2006
Notes	DALI version available on request

## PHOTOMETRIC DATA



## ACCESSORIES

### Other



### WD0700H Angled wall bracket

L&L Luce&Light SRL reserves the right to change the information contained in this document at any time without prior notice being given.