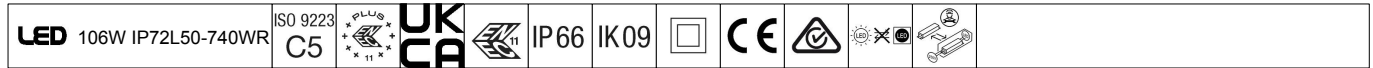


# Isaro Pro

# THORN

92904795 IP 72L50 740 WR M BS 3550 CL2 M60 ANT



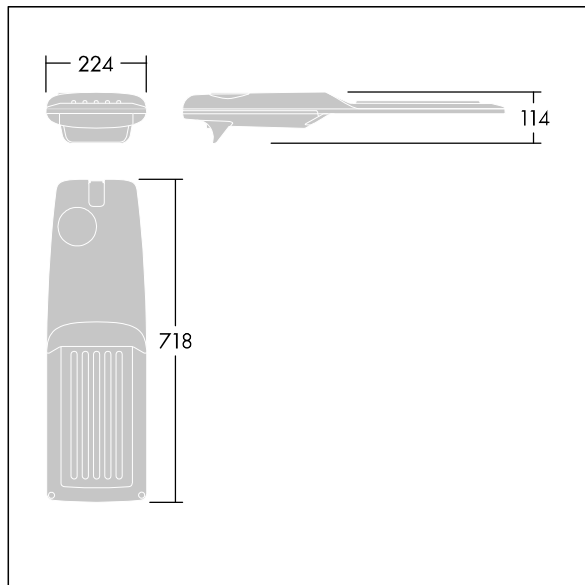
## Isaro Pro

A state of the art LED road lighting lantern (medium) with 72 LEDs driven at 500mA with Wide Road optic. Programmable LED driver. Class II electrical, IP66, IK09. Housing: die-cast aluminium (EN AC-44300), powder coated textured anthracite (close to RAL7043). Spigot: die-cast aluminium (EN AC-44300), powder coated textured anthracite (close to RAL7043). Enclosure: 5mm thick glass. Fixings: stainless steel. Supplied with Ø60mm spigot adaptor which can be fitted for post-top (0°/5°/10°/15°/20° tilt) or side-entry (-15°/-10°/-5°/0°/5°/10°/15° tilt). Equipped with 50% power reduction circuit, effective 3 hours before and 5 hours after a calculated midnight. It can be deactivated at installation with an easily accessible internal switch. Complete with 4000K LED. Surge protection: 10kV single pulse common mode and 8kV multipulse common mode and 6kV multipulse differential mode. If permanent DALI system is connected, 6kV multipulse common and differential mode.

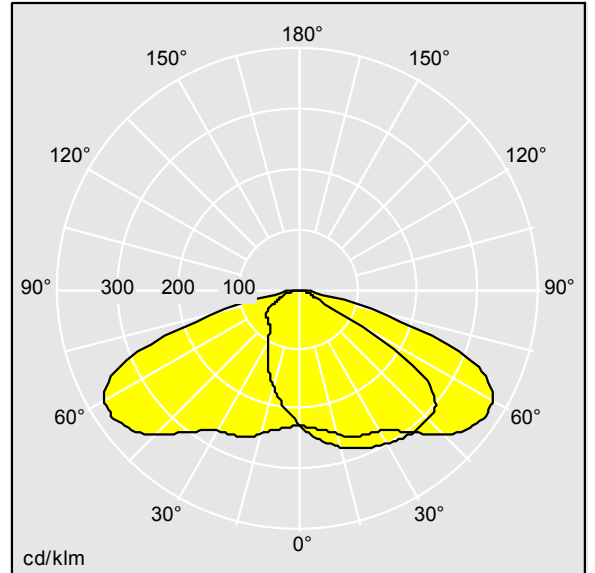
Dimensions: 718 x 224 x 114 mm  
Luminaire input power: 106 W  
Luminaire luminous flux: 16986 lm  
Luminaire efficacy: 160 lm/W  
Weight: 7.7 kg  
Scx: 0.066 m<sup>2</sup>



TLG\_ISRP\_F\_M\_PDB\_ANT.jpg



TLG\_ISRP\_M\_LD2.wmf



TL\_IP72L50WR740.lid

Lamp position: STD - standard  
Light Source: LED  
Luminaire luminous flux\*: 16986 lm  
Luminaire efficacy\*: 160 lm/W  
Colour Rendering Index min.: 70  
Ballast: 1 x 87500716 LCO 135/200-1050/ 220 o4a NF C EXC3

Correlated colour temperature\*: 4000 Kelvin  
Chromaticity tolerance (initial MacAdam): 5  
Rated useful life (B10)\*:  
L95 100000h at 25°C  
Luminaire input power\*: 106 W Power factor = 0.98  
Dimming: PROG  
LOR: 1,00 ULOR: 0,00 DLOR: 1,00

This product contains a light source of energy efficiency class D.

All values marked with an \* are rated values. Thorn uses tried and tested components from leading suppliers, however there may be isolated instances of technology-related failures of individual LEDs during the rated product lifetime. International standards set the tolerance in initial flux and connected load at ±10%. Unless stated otherwise, the values apply to an ambient temperature of 25°C.

Thorn Lighting is constantly developing and improving its products. The right is reserved to change specifications without prior notification or public announcement.  
© Thorn Lighting