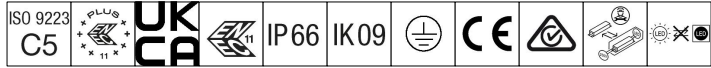


# Isaro Pro

92907259 IP 60L50 740 EWR BS 3550 CL1 M60 GY-S

# THORN



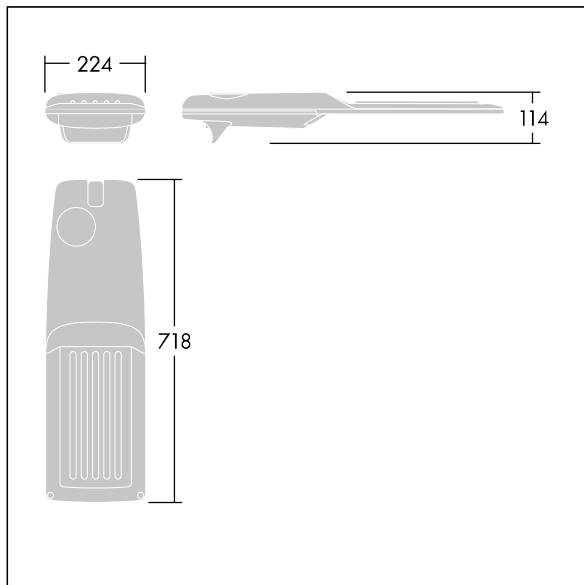
## Isaro Pro

A state of the art LED road lighting lantern (medium) with 60 LEDs driven at 500mA with Extra Wide Road optic. Programmable LED driver. Class I electrical, IP66, IK09. Housing: die-cast aluminium (EN AC-44300), powder coated textured Light grey textured (150) - partly painted. Spigot: die-cast aluminium (EN AC-44300), unpainted. Enclosure: 5mm thick glass. Fixings: stainless steel. Supplied with Ø60mm spigot adaptor which can be fitted for post-top (0°/5°/10°/15°/20° tilt) or side-entry (-15°/-10°/-5°/0°/5°/10°/15° tilt). BSxyz: Autonomous, physically disconnectable, bi-power reduction (x: hours before midnight, y: hours after midnight, zz: reduction (%)) Complete with 4000K LED. Surge protection: 10kV single pulse common mode and 8kV multipulse common mode and 6kV multipulse differential mode. If permanent DALI system is connected, 6kV multipulse common and differential mode.

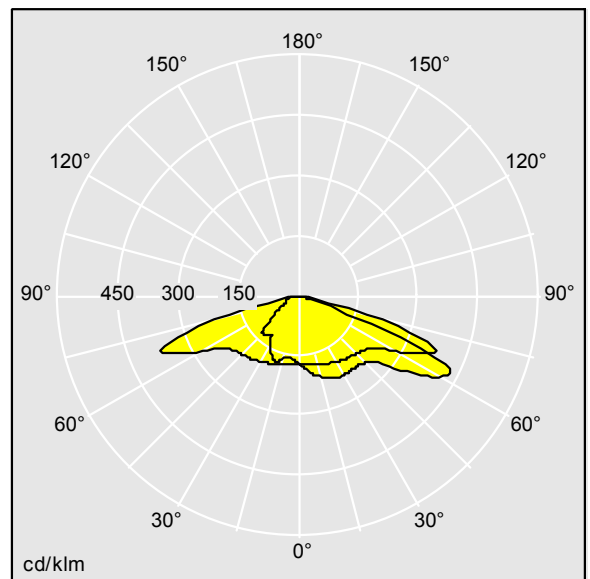
Dimensions: 718 x 224 x 114 mm  
Luminaire input power: 88.5 W  
Luminaire luminous flux: 13831 lm  
Luminaire efficacy: 156 lm/W  
Weight: 7.6 kg  
Scx: 0.066 m<sup>2</sup>



TLG\_ISRP\_F\_M\_PDB\_SIL.jpg



TLG\_ISRP\_M\_LD2.wmf



Light Source: LED  
Luminaire luminous flux\*: 13831 lm  
Luminaire efficacy\*: 156 lm/W  
Colour Rendering Index min.: 70  
Ballast: 1 x 87500716 LCO 135/200-1050/ 220 o4a NF C EXC3

Correlated colour temperature\*: 4000 Kelvin  
Chromaticity tolerance (initial MacAdam): 5  
Rated useful life (B10)\*: L95 100000h at 25°C  
Luminaire input power\*: 88.5 W Power factor = 0.97  
Dimming: PROG  
LOR: 1,00 ULOR: 0,00 DLOR: 1,00

This product contains light sources of energy efficiency class D.

All values marked with an \* are rated values. Thorn uses tried and tested components from leading suppliers, however there may be isolated instances of technology-related failures of individual LEDs during the rated product lifetime. International standards set the tolerance in initial flux and connected load at ±10%. Unless stated otherwise, the values apply to an ambient temperature of 25°C.

Thorn Lighting is constantly developing and improving its products. The right is reserved to change specifications without prior notification or public announcement.  
© Thorn Lighting