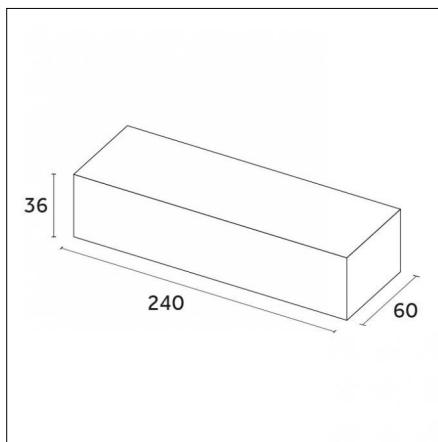


Driver



CUT
OUT

Code 0.31655.0000

Electrical features

Max power: 50W

Dimming: On-Off

AC Input: 220-240VaC

Frequency: 50/60Hz

Physical features

Height: 36mm

Width: 60mm

Length: 240mm

Notes assembly diagram:

Twisted shielded pair cable - Cable section: 2,5mmq

Connectable fixtures: max 45W

Luminaire constructed in conformity with Directives 2014/35/EU (LV), 2014/30/EU (EMC), 2009/125/EC (Ecodesign) with Regulations (EC) No 245/2009, (EU) No 347/2010 and (EU) 2015/1428 (for luminaires with fluorescent and metal halide lamps only), 2009/125/EC (Ecodesign) with Regulations (EU) No 1194/2012 and 2015/1428 (for LED luminaires only), 2011/65/EU (RoHS 2) and 2012/19/EU (WEEE).

Reggiani SPA Illuminazione

Viale Monza, 16 20845 Sovico (MB) Italy
Tel. (+39) 039 2071.1 fax (+39) 039 2071 999

www.reggiani.net
contact@reggiani.net