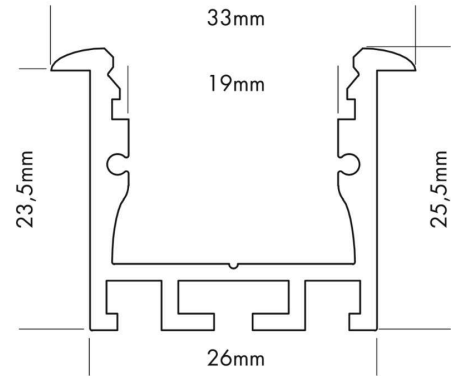


# Datasheet

PROLED ALUMINIUM PROFILE M-LINE REC 24

**PROLED**<sup>®</sup>

Article number: L69C024  
Article name: PROLED ALUMINIUM PROFILE M-LINE REC 24  
Article description: PROLED ALU PROFILE M-LINE REC 24 2m  
GTIN: 4251158416441



picture similar

## Technical properties:

Shape:	angular
Housing colour:	silver
Housing material:	alu
Housing surface:	anodized
Ambient temperature:	-10 °C to 45 °C
Accessories type:	Profile

## Housing and size:

Size:	2000 x 33 x 25.5 mm (l x w x h)
Product weight:	0,935 kg

## Mounting instructions:

Cutting width:	26 mm
Cutting depth:	24 mm

Date: 30.4.2024

Technical amendments and errors reserved.

**PROLED**<sup>®</sup>

MBN GmbH | Balthasar-Schaller-Str. 3 | 86616 Friedberg | Germany

Phone +49.821.60099-0 | Fax +49.821.60099-99

Central: info@proled.com | Internet: www.proled.com

Registered office of the company: Friedberg | Amtsgericht Augsburg HRB 19419 | Managing Director: Dr. Bernhard Steidl, Christian von Sassen