



# Pacific LED Gen5

## WT490C 80S/840 PSD HE WB PI5 L1200

Pacific LED Gen5, Waterproof, 51 W, L1200 mm, 8000 lm, 4000 K, DALI, Wide beam, Clear, IP66, IK08

Waterproof, L1200 mm, Polycarbonate, White, Power supply unit with DALI interface, 8000 lm, 51 W, 157 lm/W, 4000 K, (0.38, 0.38) SDCM <3, Wide beam, Clear, Polycarbonate, IP66 | Dust penetration-protected, jet-proof, IK08 | 5 J vandal-protected, Safety class I, Push-in connector 5-pole

### Warnings and Safety

- UV radiation will damage the material over time resulting in loss of waterproof sealing and IP66 rating.
- Do not install the luminaire in locations where it will be exposed to direct sunlight.

### Product data

General Information		Optic type	
Light source replaceable	Yes	Optic type	Wide beam
Number of gear units	1 unit	Luminaire light beam spread	93° x 93°
Driver included	Yes	Unified glare rating CEN	22
Service tag	Yes	Operating and Electrical	
Lighting Technology	LED	Input Voltage	220 to 240 V
Value ladder	Specification	Line Frequency	50 to 60 Hz
Warranty period	5 years	Inrush current	25.1 A
		Inrush time	0.214 ms
		Power Consumption	51 W
		Power Factor (Fraction)	0.99
		Connection	Push-in connector 5-pole
		Cable	-
		Number of products on MCB of 16 A type B	21
		Suitable for random switching	No

## Pacific LED Gen5

Protection class IEC	Safety class I
Total harmonic distortion	20 %

### Controls and Dimming

Dimmable	Yes
Driver/power unit/transformer	Power supply unit with DALI interface
Control interface	DALI
Constant light output	No
DALI Standard	DALI-2™

### Mechanical and Housing

Housing Material	Polycarbonate
Reflector material	-
Optic material	Polycarbonate
Optical cover material	Polycarbonate
Fixation material	Steel
Housing Color	White
Optical cover finish	Clear
Overall length	1,248 mm
Overall width	96 mm
Overall height	68 mm
Dimensions (Height x Width x Depth)	68 x 96 x 1248 mm
Ingress protection code	IP66 [Dust penetration-protected, jet-proof]
Mech. impact protection code	IK08 [5 J vandal-protected]
Net Weight (Piece)	2.330 kg

### Approval and Application

Glow-wire test	Temperature 850 °C, duration 30 s
Flammability mark	For mounting on easily flammable surfaces
CE mark	Yes
ENEC mark	ENEC plus mark
Photobiological risk	Photobiological risk group 1 @200mm to EN62778
Photobiological risk specification	0 m
EU RoHS compliant	Yes
Performance ambient temperature Tq	25 °C
Flickering value (PstLM) - Flickering value as per EN 61000-3-3	1
Stroboscopic effect visibility measure (SVM)	0.4
Ambient temperature range	-25 to +45 °C

### Initial Performance (IEC Compliant)

Luminous flux tolerance	+/-7%
Initial chromaticity	(0.38, 0.38) SDCM <3
Power consumption tolerance	+/-11%
Standard Deviation of Colour Matching (McAdam ellipse)	SDCM≤3

### Over Time Performance (IEC Compliant)

Control gear failure rate at median useful life 50000 h	5 %
Control gear failure rate at median useful life 100000 h	10 %
Lumen maintenance (EN-IEC 62722-2-1) at median useful life* 50000 h	L90
Lumen maintenance (EN-IEC 62722-2-1) at median useful life* 100000 h	L80

### Sustainability Data

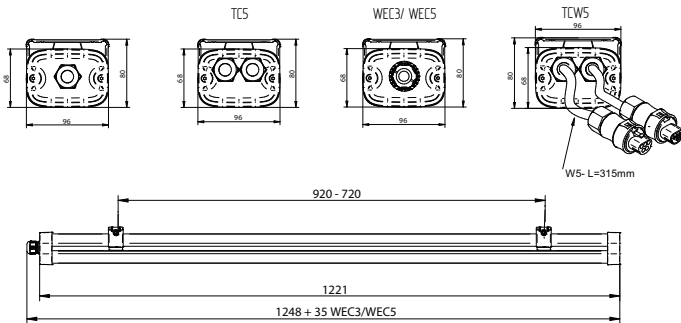
Sustainability rating	Signify Circle
Repair class	Repair Class B, the driver and light source of this luminaire can be replaced by a service technician. Parts and documentation are available for an extended period of time.
Embedded carbon (A1-A3)	33.9 kg CO <sub>2</sub> e
Product non-virgin material ratio	22.4 %
Recyclable content ratio of the finished product	36.4 %
GWP total B6 (kg CO <sub>2</sub> eq) Declared Unit	Please calculate using your local energy mix value: Power Declared Unit (kW) * Service life (hrs) Declared Unit * Energy mix (kg CO <sub>2</sub> eq / kwh)
GWP total B6 (kg CO <sub>2</sub> eq) Functional Unit	Please calculate using your local energy mix value: Power Declared Unit (kW) * 1000 (lm) /lumen output (lm) Declared Unit * 35000 (hrs) * Energy mix (kg CO <sub>2</sub> eq / kwh)
Non-virgin material ratio of the packaging	Cardboard > 80% recycled
Packaging Recyclable content ratio	Cardboard recycling rate > 80%
Packaging Material	Cardboard

### Product Data

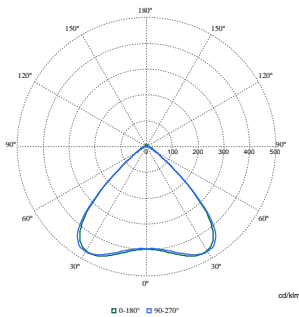
Order product name	WT490C 80S/840 PSD HE WB PI5 L1200
Full product name	WT490C 80S/840 PSD HE WB PI5 L1200
Full product code	871951410979700
Order code	910925867724
Material Nr. (12NC)	910925867724
Numerator - Quantity Per Pack	1
EAN/UPC - Product/Case	8719514109797
Numerator - Packs per outer box	1
EAN/UPC - Case	8719514109797
Product family code	WT490C [Pacific LED gen5]

# Pacific LED Gen5

## Dimensional drawing



## Photometric data



Polar Normal (separate) - WT490CI - 91092586724

