

# Aquaforce Pro

# THORN

## 92901918 AQFPRO L LED8000-840 PC WB HF

LED 63W Z_AQ8000-840 7770					IK08						850°C	T <sub>a</sub> -20 +30
---------------------------	--	--	--	--	------	--	--	--	--	--	-------	---------------------------

### Aquaforce Pro

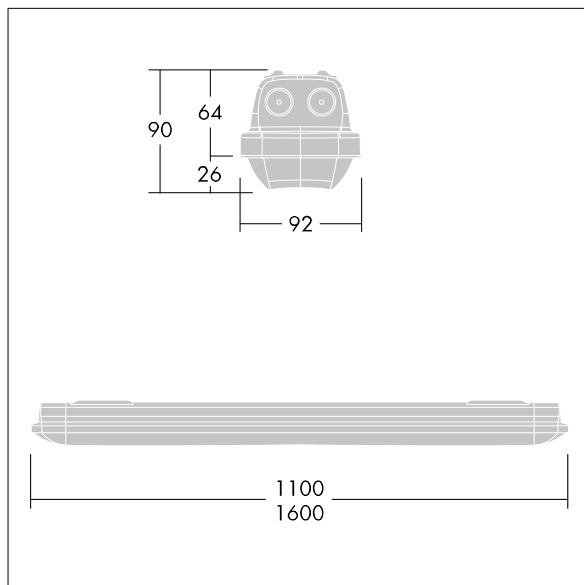
An IP66, dust and moisture resistant LED luminaire. Electronic, fixed output control gear. With wide beam distribution. Class I electrical. Canopy: light grey polycarbonate. Diffuser: high transmission opal polycarbonate with refraction prisms. Patented snap-on mechanism EasyClick for clipless mounting of diffuser. For surface or suspended mounting. Quick-fix brackets supplied for surface mounting. Suitable for ceiling or wall (both vertically and horizontally). Approved for indoor use or in canopied outdoor areas (see installation instructions). Mounting kits for conduit, chain suspension and catenary suspension are available as accessories. Suitable for through wiring with H05VV or NYM cable (rated 10A). ambient temperature: -20°C to +30°C. Complete with 4000K LED..

Note: please contact your consultant if you are planning to use the luminaire in environments with chemical pollutants, high or condensing humidity and major variations in temperature.

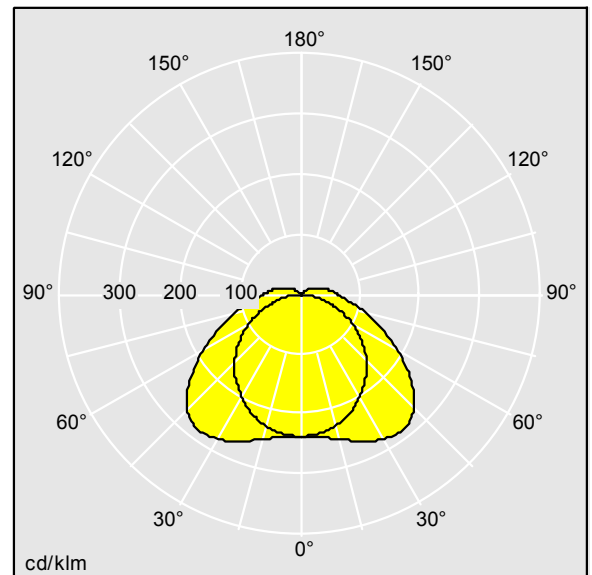
Dimensions: 1600 x 92 x 90 mm  
Luminaire input power: 62.6 W  
Luminaire luminous flux: 7770 lm  
Luminaire efficacy: 124 lm/W  
Weight: 2.5 kg



TLG\_AQUP\_F\_PDB\_1600WD.jpg



TLG\_AQUP\_M\_LD1.wmf



D42272AA\_AQFPRO\_L\_LED8000-840\_PC\_WB\_HF.idt

Lamp position: STD - standard  
Light Source: LED  
Luminaire luminous flux\*: 7770 lm  
Luminaire efficacy\*: 124 lm/W  
Colour Rendering Index min.: 80  
Ballast: 1 x 87500786 LC 67/430/156 fixC sl SNC  
Correlated colour temperature: 4000 Kelvin

Chromaticity tolerance (initial MacAdam): 3  
Rated median useful life\*:  
L80 50000h at 25°C  
Luminaire input power\*: 62.6 W Power factor = 0.96  
Dimming: HF  
Maintenance category: E - Dust-proof IP5X  
Total harmonic distortion (THD): 9.78 %  
LOR: 1,00 ULOR: 0,08 DLOR: 0,92

Please also consult the additional information on the next page

Thorn Lighting is constantly developing and improving its products. The right is reserved to change specifications without prior notification or public announcement.  
© Thorn Lighting

# Aquaforce Pro

92901918 AQFPRO L LED8000-840 PC WB HF

THORN

This product contains a light source of energy efficiency class D.

All values marked with an \* are rated values. Thorn uses tried and tested components from leading suppliers, however there may be isolated instances of technology-related failures of individual LEDs during the rated product lifetime. International standards set the tolerance in initial flux and connected load at  $\pm 10\%$ . Unless stated otherwise, the values apply to an ambient temperature of 25°C.

Thorn Lighting is constantly developing and improving its products. The right is reserved to change specifications without prior notification or public announcement.  
© Thorn Lighting