

# Aquaforce Pro

# THORN

96631028 AQFPRO L LED6400-840 PC MB HF E3



## Aquaforce Pro

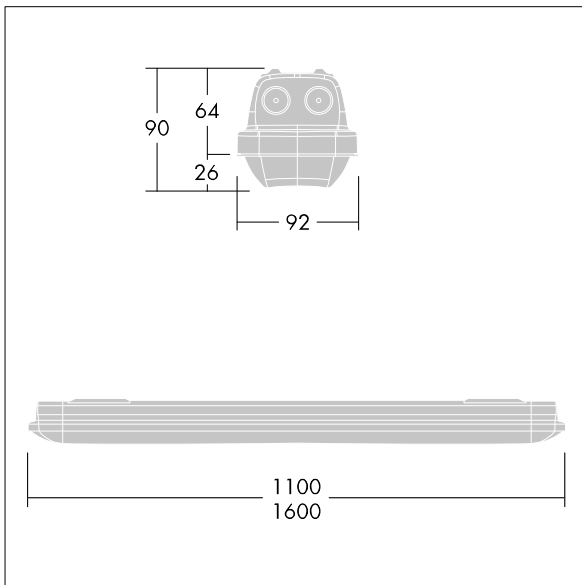
An IP66, dust and moisture resistant LED luminaire. Electronic, fixed output control gear with 3 hour, manual test, emergency lighting circuit. With medium beam distribution. Class I electrical. Canopy: light grey polycarbonate. Diffuser: high transmission opal polycarbonate with refraction prisms. Patented snap-on mechanism EasyClick for clipless mounting of diffuser. For surface or suspended mounting. Quick-fix brackets supplied for surface mounting. Suitable for ceiling or wall (both vertically and horizontally). Mounting kits for conduit, chain suspension and catenary suspension are available as accessories. ambient temperature: 0°C to +25°C. Complete with 4000K LED..

Note: please contact your consultant if you are planning to use the luminaire in environments with chemical pollutants, high or condensing humidity and major variations in temperature.

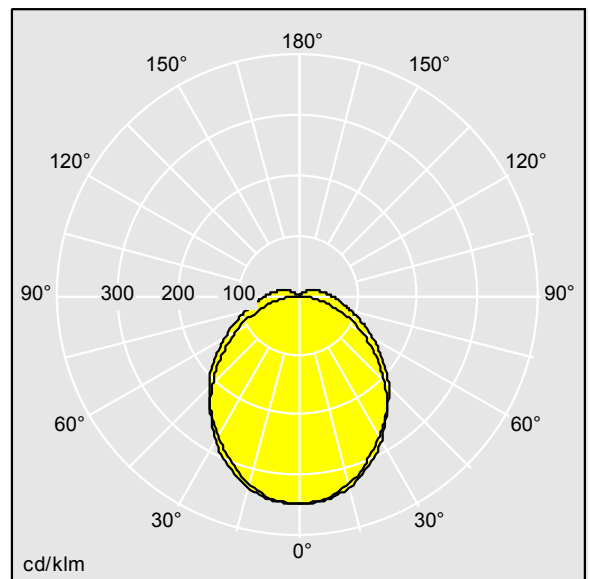
Dimensions: 1600 x 92 x 90 mm  
Luminaire input power: 52.7 W  
Luminaire luminous flux: 6790 lm  
Luminaire efficacy: 129 lm/W  
Weight: 2.5 kg



TLG\_AQUP\_F\_PDB\_1600MED.jpg



TLG\_AQUP\_M\_LD1.wmf



D42271AA\_AQFPRO\_L\_LED6400-840\_PC\_MB\_HF.Idt

Lamp position: STD - standard  
Light Source: LED  
Luminaire luminous flux\*: 6790 lm  
Total emergency luminous flux: 500 lm  
Luminaire efficacy\*: 129 lm/W  
Lamp efficacy: 128 lm/W  
Colour Rendering Index min.: 80  
Ballast 1: 1 x 87500785 DRV TR LC 54W 350mA  
153V F #fixC sl SNC  
LOR: 1,00 ULOR: 0,07 DLOR: 0,94

Ballast 2: 1 x 89800581 EM TR EM converterLED  
BASIC 204 MH/LiFeP  
Correlated colour temperature: 4000 Kelvin  
Chromaticity tolerance (initial MacAdam): 3  
Rated median useful life\*:  
L80 50000h at 25°C  
Luminaire input power\*: 52.7 W Power factor = 0.96  
Dimming: HF  
Maintenance category: E - Dust-proof IP5X  
Total harmonic distortion (THD): 10.26 %

All values marked with an \* are rated values. Thorn uses tried and tested components from leading suppliers, however there may be isolated instances of technology-related failures of individual LEDs during the rated product lifetime. International standards set the tolerance in initial flux and connected load at  $\pm 10\%$ . Unless stated otherwise, the values apply to an ambient temperature of 25°C. In most products the failure of one LED point causes no functional impairment to the lighting performance of the luminaire and is therefore no reason for complaint. Unless otherwise stated all Thorn LED products are suitable for unrestricted use (rated RG1) with regard photobiological blue light safety (IEC/EN60598-1).

Thorn Lighting is constantly developing and improving its products. The right is reserved to change specifications without prior notification or public announcement.  
© Thorn Lighting