

Aquaforce Pro

THORN

96630754 AQFPRO S LED4300-840 PC MB HF

LED 35W Z_AQ4300-840 4530					IK08		CE				850°C	T _a -20 +35
---------------------------	--	--	--	--	------	--	----	--	--	--	-------	---------------------------

Aquaforce Pro

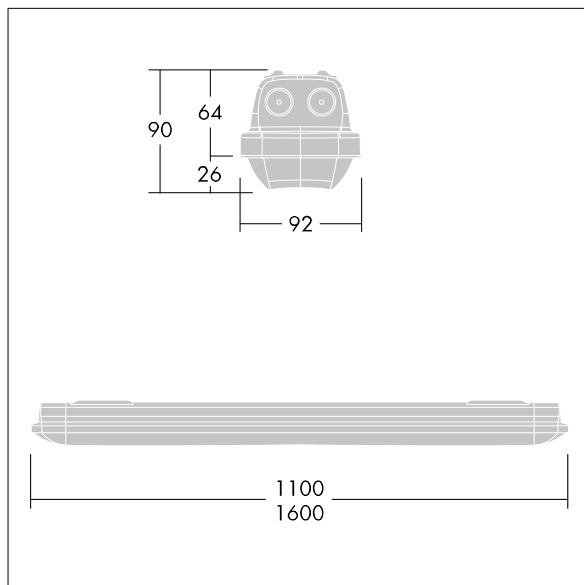
An IP66, dust and moisture resistant LED luminaire. Electronic, fixed output control gear. With medium beam distribution. Class I electrical. Canopy: light grey polycarbonate. Diffuser: high transmission opal polycarbonate with refraction prisms. Patented snap-on mechanism EasyClick for clipless mounting of diffuser. For surface or suspended mounting. Quick-fix brackets supplied for surface mounting. Suitable for ceiling or wall (both vertically and horizontally). Approved for indoor use or in canopied outdoor areas (see installation instructions). Mounting kits for conduit, chain suspension and catenary suspension are available as accessories. Suitable for through wiring with H05VV or NYM cable (rated 10A). ambient temperature: -20°C to +35°C. Complete with 4000K LED..

Note: please contact your consultant if you are planning to use the luminaire in environments with chemical pollutants, high or condensing humidity and major variations in temperature.

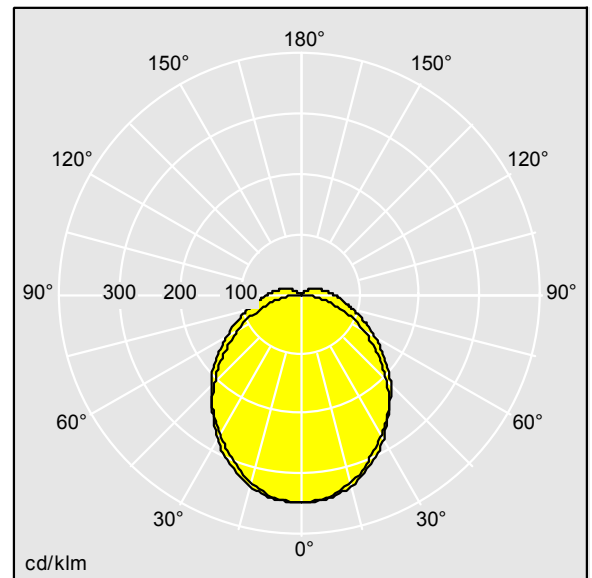
Dimensions: 1100 x 92 x 90 mm
 Luminaire input power: 35.2 W
 Luminaire luminous flux: 4530 lm
 Luminaire efficacy: 129 lm/W
 Weight: 1.7 kg



TLG_AQUP_F_PDB_1100MED.jpg



TLG_AQUP_M_LD1.wmf



D42271AA_AQFPRO_S_LED4300-840_PC_MB_HF.idt

Lamp position: STD - standard
 Light Source: LED
 Luminaire luminous flux*: 4530 lm
 Luminaire efficacy*: 129 lm/W
 Colour Rendering Index min.: 80
 Ballast: 1 x 00156022 DRV FP LC 54W 350mA 153V
 F #FY-0717-2 SC
 Correlated colour temperature: 4000 Kelvin

Chromaticity tolerance (initial MacAdam): 3
 Rated median useful life*:
 L80 50000h at 25°C
 Luminaire input power*: 35.2 W Power factor = 0.96
 Dimming: HF
 Maintenance category: E - Dust-proof IP5X
 Total harmonic distortion (THD): 13.61 %
 LOR: 1,00 ULOR: 0,07 DLOR: 0,94

Please also consult the additional information on the next page

Thorn Lighting is constantly developing and improving its products. The right is reserved to change specifications without prior notification or public announcement.
 © Thorn Lighting

Aquaforce Pro

96630754 AQFPRO S LED4300-840 PC MB HF

THORN

This product contains a light source of energy efficiency class D.

All values marked with an * are rated values. Thorn uses tried and tested components from leading suppliers, however there may be isolated instances of technology-related failures of individual LEDs during the rated product lifetime. International standards set the tolerance in initial flux and connected load at $\pm 10\%$. Unless stated otherwise, the values apply to an ambient temperature of 25°C.

Thorn Lighting is constantly developing and improving its products. The right is reserved to change specifications without prior notification or public announcement.
© Thorn Lighting