

Aquaforce Pro

96631034 AQFPRO L LED6400-840 PC MB MWCF

THORN



Aquaforce Pro

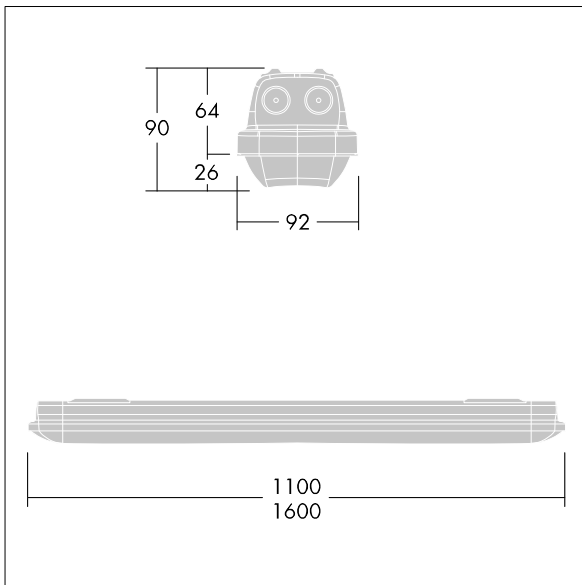
An IP66, dust and moisture resistant LED luminaire. LED driver DALI dimmable. With medium beam distribution. Class I electrical. Canopy: light grey polycarbonate. Diffuser: high transmission opal polycarbonate with refraction prisms. Patented snap-on mechanism EasyClick for clipless mounting of diffuser. For surface or suspended mounting. Quick-fix brackets supplied for surface mounting. Suitable for ceiling or wall (both vertically and horizontally). Mounting kits for conduit, chain suspension and catenary suspension are available as accessories. Suitable for through wiring with H05VV or NYM cable (rated 10A). Integral presence detector for dimming control (corridor function). ambient temperature: -20°C to +35°C. Complete with 4000K LED..

Note: please contact your consultant if you are planning to use the luminaire in environments with chemical pollutants, high or condensing humidity and major variations in temperature.

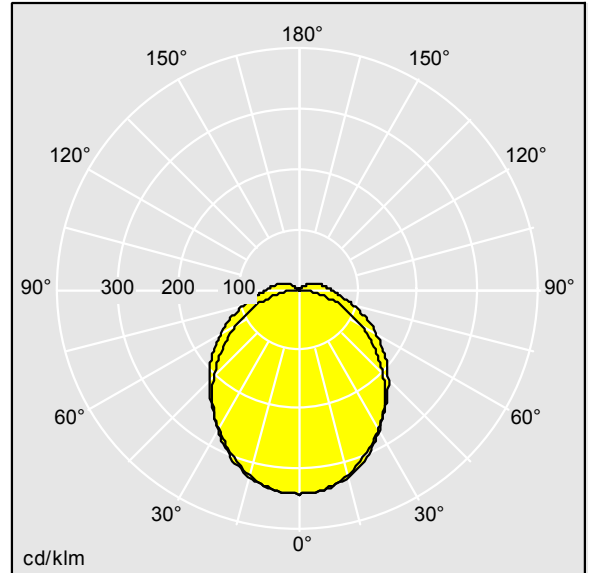
Dimensions: 1600 x 92 x 90 mm
Luminaire input power: 50.5 W
Luminaire luminous flux: 6400 lm
Luminaire efficacy: 127 lm/W
Weight: 2.14 kg



TLG_AQUP_F_PDB_1600MED.jpg



TLG_AQUP_M_LD1.wmf



D39801AA_AQFPRO_L_LED6400-840_PC_MB_HFI.ltd

Lamp position: STD - standard
Light Source: LED
Luminaire luminous flux*: 6400 lm
Luminaire efficacy*: 127 lm/W
Lamp efficacy: 126 lm/W
Colour Rendering Index min.: 80
LOR: 1,00 ULOR: 0,07 DLOR: 0,93

Ballast: 1 x 28000655 DRV TR LCA 50W 400mA
140V D #O4A Ip PRE
Correlated colour temperature: 4000 Kelvin
Chromaticity tolerance (initial MacAdam): 3
Rated median useful life*:
L80 50000h at 25°C
Luminaire input power*: 50.5 W Power factor = 0.96
Dimming: DaliDim

All values marked with an * are rated values. Thorn uses tried and tested components from leading suppliers, however there may be isolated instances of technology-related failures of individual LEDs during the rated product lifetime. International standards set the tolerance in initial flux and connected load at $\pm 10\%$. Unless stated otherwise, the values apply to an ambient temperature of 25°C.

In most products the failure of one LED point causes no functional impairment to the lighting performance of the luminaire and is therefore no reason for complaint. Unless otherwise stated all Thorn LED products are suitable for unrestricted use (rated RG0 or RG1) with regard photobiological blue light safety (IEC/EN60598-1).

Thorn Lighting is constantly developing and improving its products. The right is reserved to change specifications without prior notification or public announcement.
© Thorn Lighting