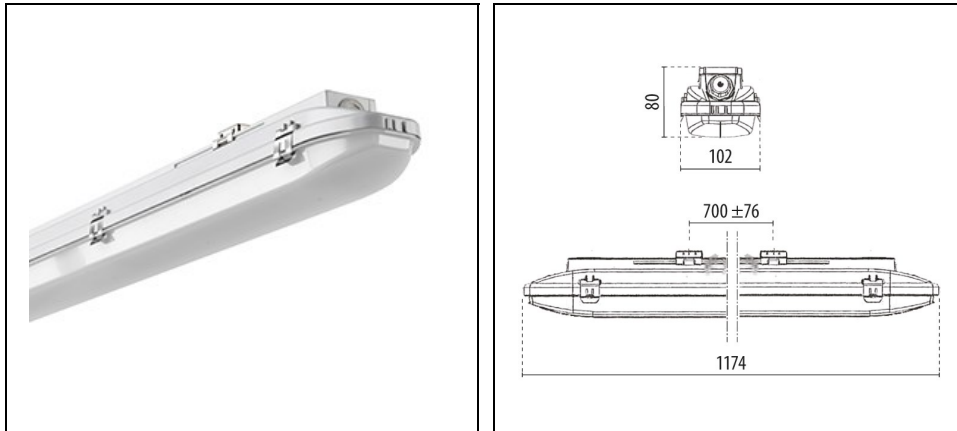


ACRO PRO EQ236 MULTIPOWER

Part number 3114695



Description

Weatherproof LED luminaire, comprising:

- Fibreglass reinforced polyester housing
- Diffuser in frosted polycarbonate, glow wire 850 °C (EN 60695-2-11)
- Anti-ageing custom moulded silicone sealing gasket(s)
- 4000K multi-chip LED board
- Fully integrated stainless steel safety spring clips
- Quick ceiling fixing bracket (stainless steel)
- Integral Dip-Switches to select one of four power levels, which can be field adjusted (MULTIPOWER models)
- Emergency - 1 hour
- EM/1P are maintained emergency versions (1h)
- Hyper-frequency (HF) sensor operating at 5.8 Ghz+/- 75 Mhz
- Dimmable DALI
- Photometric data measure according to UNI EN 13032-4 and IES LM-79-08

To maintain the regular updating of our products, PERFORMANCE iN LIGHTING reserves the right to make changes without prior notice. For the most up to date information we always recommend you read the latest version published on the website www.performanceinlighting.com. Delivered luminaire lumen outputs and power consumptions, including losses, are subject to a tolerance of +/- 7%, and unless otherwise stated the values apply to an ambient temperature of 25°C. Terms of warranty are available at www.performanceinlighting.com/qr/qr/company/terms-and-conditions

Product data

ETIM Group:	EG000027	ETIM Class:	EC002892
-------------	----------	-------------	----------

General information

Lampholder:	LED	Light source:	LED
Lightsource lumen output [lm]:	3200/3950/4750/5350	Luminaire lumen output [lm]:	2923/3598/4343/4981
Luminaire wattage [W]:	18/22.5/27.5/31 W	Luminous efficacy [lm/W]:	162
CRI:	80	Kelvin:	4000
Colour / Finish:	GR-RAL7035 / Grey RAL7035 / Matt	IP degree of protection:	IP66
IK-J-xxIP:	IK08 5J xx	Insulation class:	I
Optic:	SYMMETRIC EXTRA-WIDE	Net weight [kg]:	2.086
Overall length [mm]:	1174		

Mechanical features

Shape:	RECTANGULAR	Housing material:	PLASTIC
Diffuser material:	PLASTIC	Glow wire test [°C]:	850 °C

Electrical features

Voltage type:	AC	Power factor / COS Φ:	0.98
Inrush current [A/μs]:	21 / 220		

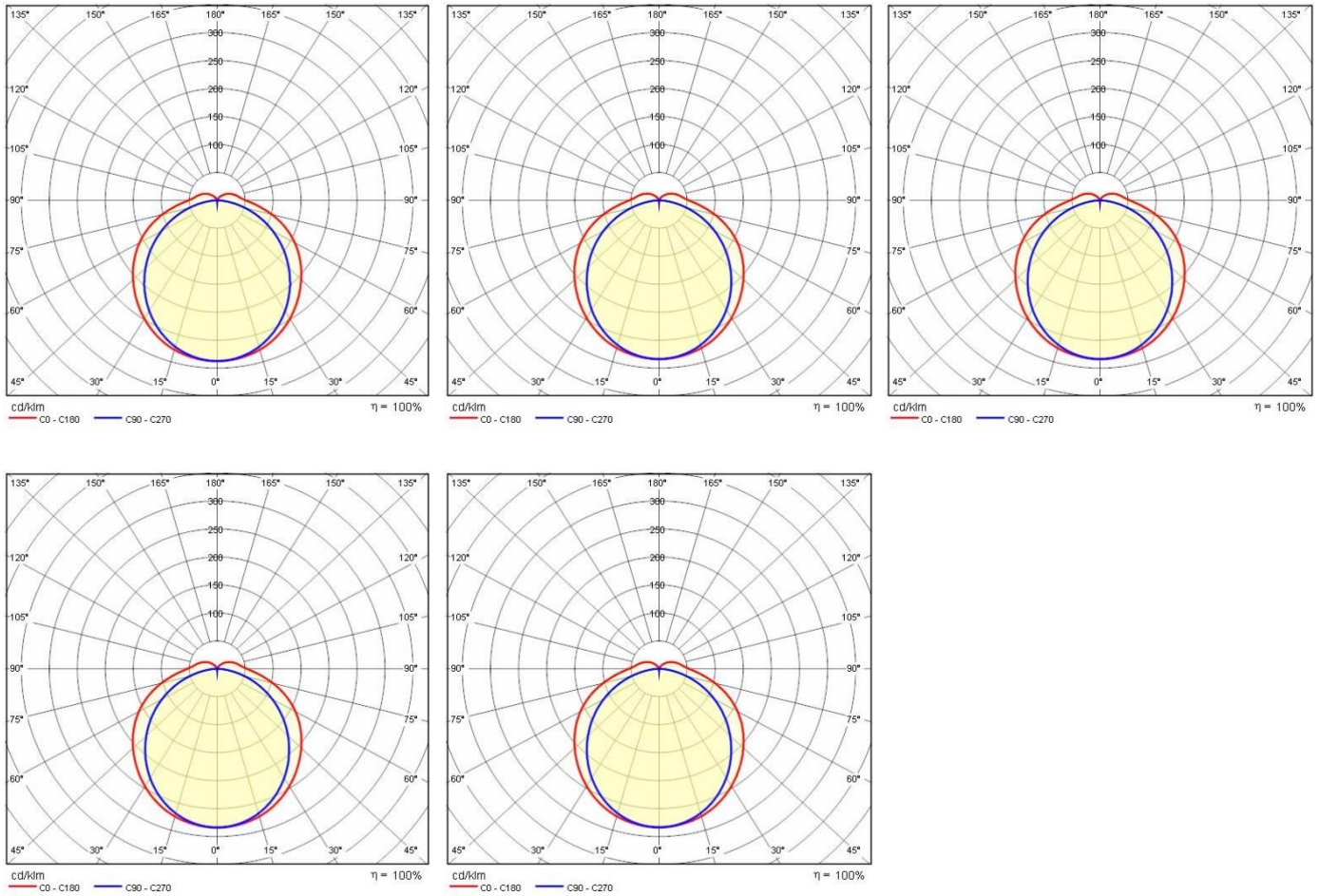
Installation

Application area:	Indoor	Mounting type:	Weatherproofs
Min. ambient temperature [°C]:	5	Max. ambient temperature [°C]:	25

Light features

MacAdam:	3	Lumen maintenance:	L70B10@101000h
Distribution of light emission:	Direct		

Photometric data



To maintain the regular updating of our products, PERFORMANCE IN LIGHTING reserves the right to make changes without prior notice. For the most up to date information we always recommend you read the latest version published on the website www.performanceinlighting.com. Delivered luminaire lumen outputs and power consumptions, including losses, are subject to a tolerance of +/- 7%, and unless otherwise stated the values apply to an ambient temperature of 25°C. Terms of warranty are available at www.performanceinlighting.com/qr/qr/company/terms-and-conditions