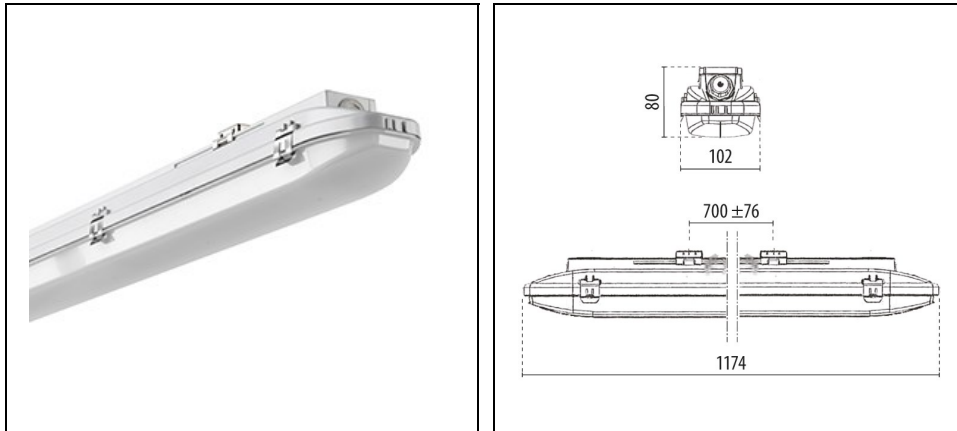


ACRO PRO EQ236 MULTIPOWER

Part number 3114694



Description

Weatherproof LED luminaire, comprising:

- Fibreglass reinforced polyester housing
- Diffuser in frosted polycarbonate, glow wire 850 °C (EN 60695-2-11)
- Anti-ageing custom moulded silicone sealing gasket(s)
- 4000K multi-chip LED board
- Fully integrated stainless steel safety spring clips
- Quick ceiling fixing bracket (stainless steel)
- Integral Dip-Switches to select one of four power levels, which can be field adjusted (MULTIPOWER models)
- Emergency - 1 hour
- EM/1P are maintained emergency versions (1h)
- Hyper-frequency (HF) sensor operating at 5.8 Ghz +/- 75 Mhz
- Dimmable DALI
- Photometric data measure according to UNI EN 13032-4 and IES LM-79-08

To maintain the regular updating of our products, PERFORMANCE IN LIGHTING reserves the right to make changes without prior notice. For the most up to date information we always recommend you read the latest version published on the website www.performanceinlighting.com. Delivered luminaire lumen outputs and power consumptions, including losses, are subject to a tolerance of +/- 7%, and unless otherwise stated the values apply to an ambient temperature of 25°C. Terms of warranty are available at www.performanceinlighting.com/qr/qr/company/terms-and-conditions

Product data

| | | | |
|-------------|----------|-------------|----------|
| ETIM Group: | EG000027 | ETIM Class: | EC002892 |
|-------------|----------|-------------|----------|

General information

| | | | |
|--------------------------------|----------------------------------|------------------------------|---------------------|
| Lampholder: | LED | Light source: | LED |
| Lightsource lumen output [lm]: | 3200/3950/4750/5350 | Luminaire lumen output [lm]: | 2923/3598/4343/4981 |
| Luminaire wattage [W]: | 18/22.5/27.5/31 W | Luminous efficacy [lm/W]: | 162 |
| CRI: | 80 | Kelvin: | 4000 |
| Colour / Finish: | GR-RAL7035 / Grey RAL7035 / Matt | IP degree of protection: | IP66 |
| IK-J-xxIP: | IK08 5J xx | Insulation class: | I |
| Optic: | SYMMETRIC EXTRA-WIDE | Net weight [kg]: | 1.894 |
| Overall length [mm]: | 1174 | | |

Mechanical features

| | | | |
|--------------------|-------------|----------------------|---------|
| Shape: | RECTANGULAR | Housing material: | PLASTIC |
| Diffuser material: | PLASTIC | Glow wire test [°C]: | 850 °C |

Electrical features

| | | | |
|------------------------|----------|-----------------------|------|
| Voltage type: | AC | Power factor / COS Φ: | 0.98 |
| Inrush current [A/μs]: | 21 / 220 | | |

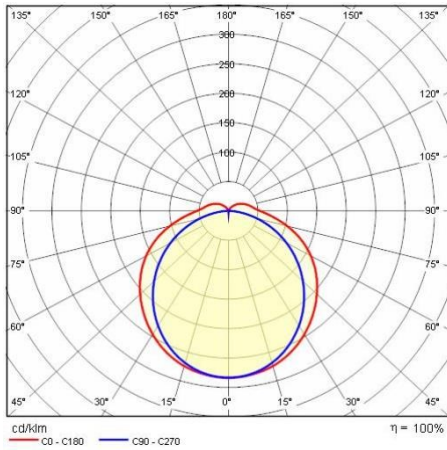
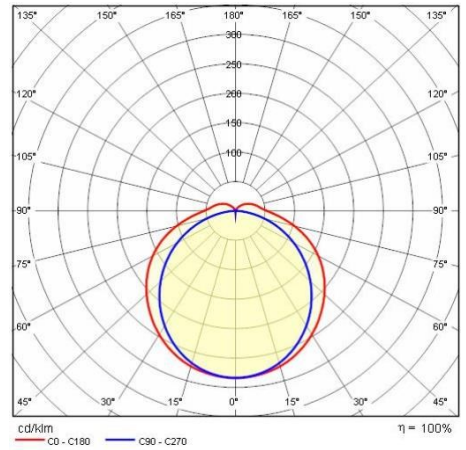
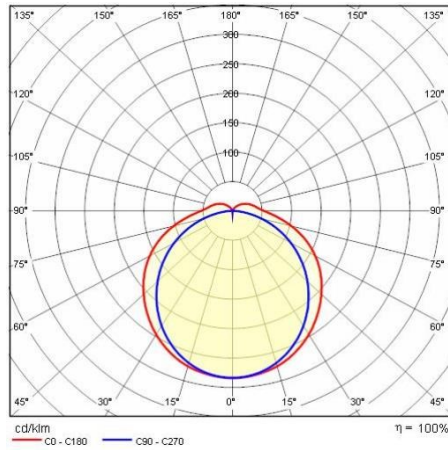
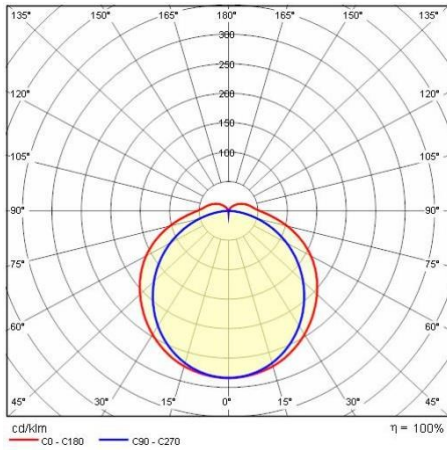
Installation

| | | | |
|--------------------------------|--------|--------------------------------|---------------|
| Application area: | Indoor | Mounting type: | Weatherproofs |
| Min. ambient temperature [°C]: | -20 | Max. ambient temperature [°C]: | 40 |

Light features

| | | | |
|---------------------------------|--------|--------------------|----------------|
| MacAdam: | 3 | Lumen maintenance: | L70B10@101000h |
| Distribution of light emission: | Direct | | |

Photometric data



To maintain the regular updating of our products, PERFORMANCE IN LIGHTING reserves the right to make changes without prior notice. For the most up to date information we always recommend you read the latest version published on the website www.performanceinlighting.com. Delivered luminaire lumen outputs and power consumptions, including losses, are subject to a tolerance of +/- 7%, and unless otherwise stated the values apply to an ambient temperature of 25°C. Terms of warranty are available at www.performanceinlighting.com/qr/qr/company/terms-and-conditions