

Leopard

THORN

96230497 LEOPARD 1X28W TC-DDEL HF PR RD BLK L840

GR10q		28W TC-DDEL	EN 60598	T _a 25		IP65	IK10			850°C
-------	---	-------------	----------	-------------------	---	------	------	---	---	-------

A range of low energy square and round bulkheads available in black or white with a choice of size and diffuser options.

A round bulkhead luminaire for 1 x 28W TC-DDEL lamp. electronic - fixed output circuit. black body with prismatic polycarbonate plastic diffuser. Electrical safety class I. Ingress protection IP65. Supplied with 840 lamp.

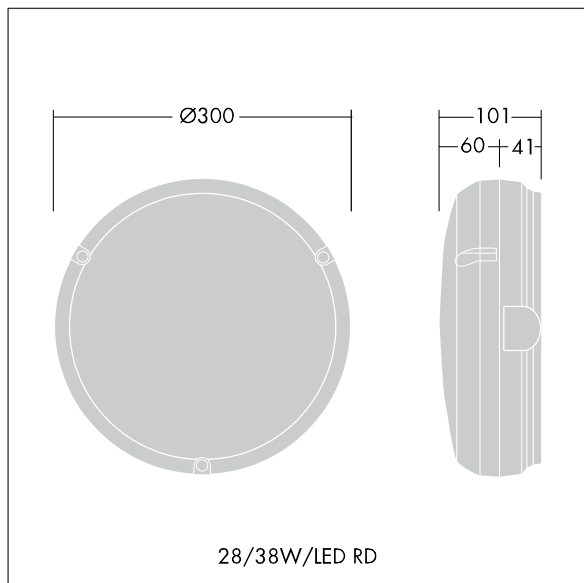
Dimensions: Ø300 x 101 mm

Total power: 25 W

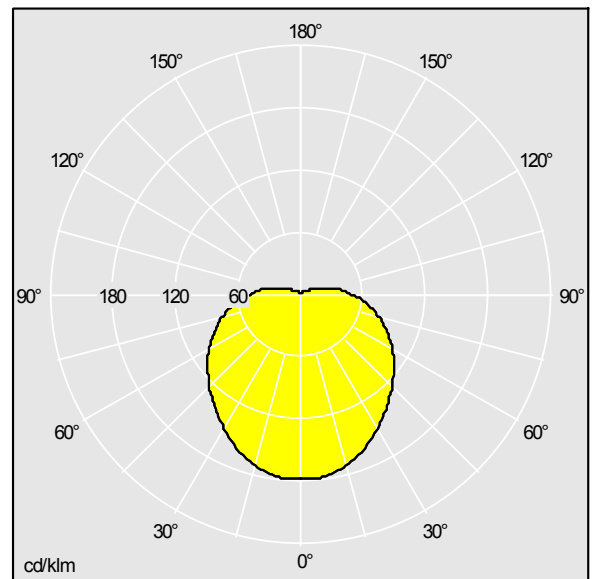
Weight: 1.8 kg



TLG_LPRD_F_LRBP.jpg



TLG_LPRD_M_RL.wmf



TLG_SP_R0027825.ltd

Lamp position:STD - standard
Lamps:1 x TC-DDEL / 28W
Total luminous flux:2050 lm
Luminaire efficacy:62 lm/W
Colour Rendering Index min.:80
Ballast:HF Tridonic PC Basic
Connected Load:25 W Lambda = 0.6
CELMA EEI:A2
Maintenance category:E
LOR: 0,76 ULOR: 0,11 DLOR: 0,65