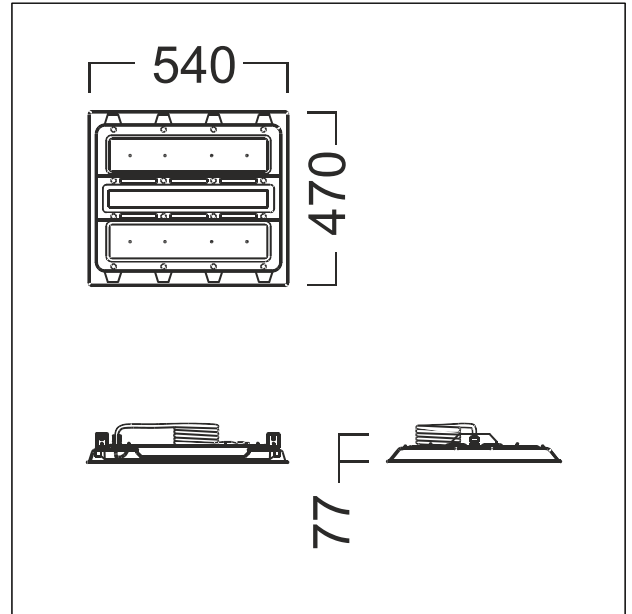


LED high-bay luminaire

LED high-bay luminaire Luminaire input power: 112 W, including LED converter, Slave luminaire for DALI control (DALI only), housing made of extra-robust, deep-drawn sheet steel, powder coated in colour white. Cover of high-quality, impact-resistant and UV-stabilised polycarbonate (PC), for use in the industrial and logistics sectors. LED service life lasts 100000 h before luminous flux is reduced to 85% of the initial value. Chromaticity tolerance (initial MacAdam): 2. Luminaire luminous flux: 16920 lm, Luminaire efficacy: 151 lm/W Colour rendering Ra > 80, colour temperature 4000 K. glare-free lighting: UGR < 25 (EN 12464:2011). Sealed optical lens system. Lenses with diagonal dome structure for maximum efficiency Luminaire with symmetric very wide distribution (very wide beam). Pre-assembled 2m long 5 x 1 mm² connection cable for very high continuous temperatures (halogen-free, flame-retardant). Vibration resistant (EN 60598-1:2015 / IEC 60598-1:2017 Ed. 8.1). LED risk group RG0 (IEC/EN 62471), luminaire wired with halogen-free leads, silicone-free. Note: please contact your consultant if you are planning to use in ambient atmospheres with chemical load, high or condensed air humidity or large temperature fluctuations. Protection class: SC1; degree of protection: IP66; ambient temperature: -25°C to +45°C; Dimensions: 540 x 470 x 77 mm. Weight: 4.9 kg.



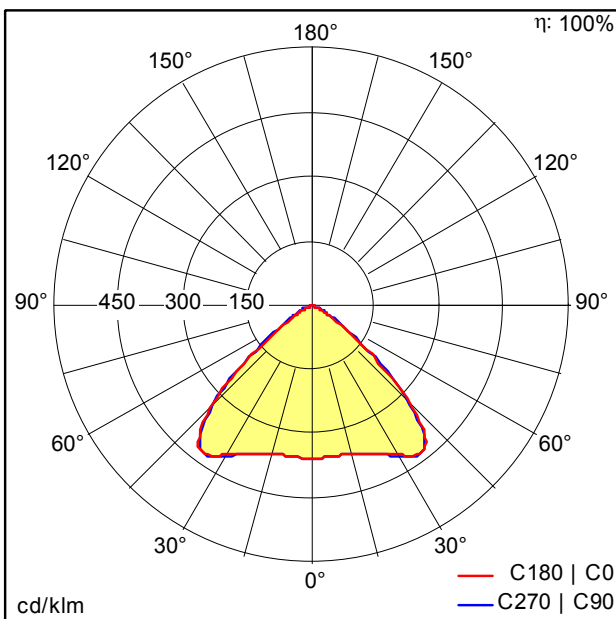
ZS_CR2_F_CRAFT2_performance_M_WH.jpg



ZS_CR2_M_CRAFT2_performance_M.wmf

Light Distribution

STD - standard



D43081AA_CR2_M17k-840_PC_VWB_LDO_WH.Idt

- Light Source: LED
- Luminaire luminous flux*: 16920 lm
- Luminaire efficacy*: 151 lm/W
- Colour Rendering Index min.: 80
- Ballast: 1 x 28003670 LCI 150/325-1050/300 o4a sl PRE Z
- Correlated colour temperature: 4000 Kelvin
- Chromaticity tolerance (initial MacAdam): 2
- Rated median useful life*:
 L85 100000h at 25°C
 L80 100000h at 45°C
 L90 50000h at 25°C
- Luminaire input power*: 112 W Power factor = 0.97
- Dimming: LDO
- Maintenance category: E - Dust-proof IP5X
- Total harmonic distortion (THD): 10.99 %

This product contains a light source of energy efficiency class D.

All values marked with an * are rated values. Luminous flux and connected electrical load are subject to an initial tolerance of +/- 10%. Unless stated otherwise, the values apply to an ambient temperature of 25°C.