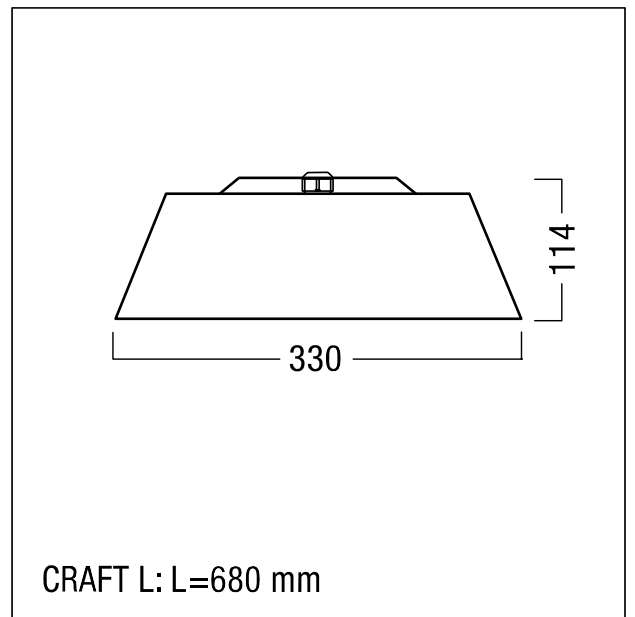


LED high-bay luminaire

LED high-bay luminaire Luminaire input power: 230.7 W, includes DALI- and emergency supply-compatible LED converter, die-cast aluminium housing in matt, white. Powder-coated cooling ribs for optimum thermal management and minimal dust accumulation. Cover of transparent polycarbonate. Suitable for use in sports halls (BWS certificate). The following mounting accessories are suitable for this: Chain suspension with ceiling bracket. The wire suspension and TECTON mounting are not suitable for use in sports halls. Slave luminaire for DALI control (DALI only) with LED converter. LED service life lasts 50000 h before luminous flux is reduced to 85% of the initial value over the entire ambient temperature range. Chromaticity tolerance (initial MacAdam): 3. Luminaire luminous flux: 33800 lm, Luminaire efficacy: 147 lm/W. Colour rendering Ra > 80, colour temperature 4000 K. Dimming level for DC mode preset to 15 %. Sealed, high-efficiency optical lens system, Luminaire with symmetric wide light distribution (wide beam), UGR <22. Pre-assembled 5 x 1mm² connecting cable, length 2m, with free ends, included in scope of supply (suspension with at least 100 mm distance to ceiling); Luminaire wired with halogen-free and silicone-free leads. Note: please contact your consultant if you are planning to use in ambient atmospheres with chemical load, high or condensing air humidity, large temperature fluctuations or projects with the necessary absence of silicone. Class of protection: SC1; degree of protection: IP65; ambient temperature: -40°C to +45°C; Dimensions: 680 x 330 x 114 mm. Weight: 10 kg



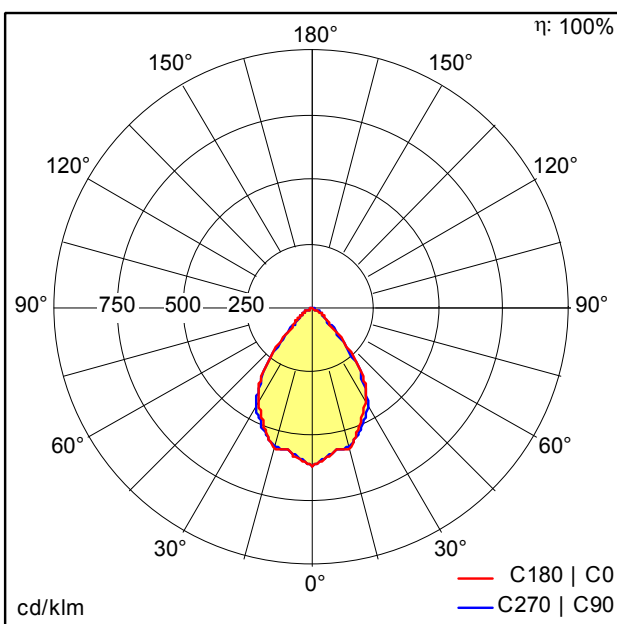
ZS_CRF_F_CRAFT_L.jpg



ZS_CRF_M_LED_L.wmf

Light Distribution

STD - standard



D34498AA_CRAFT_L_LED34000-840_PC_WB.Idt

- Light Source: LED
- Luminaire luminous flux*: 33800 lm
- Luminaire efficacy*: 147 lm/W
- Colour Rendering Index min.: 80
- Ballast: 2 x 28002053 DRV TR LCI 150W 1.05A 300V D #o4a PRE sl
- Correlated colour temperature: 4000 Kelvin
- Chromaticity tolerance (initial MacAdam): 3
- Rated median useful life*:
L85 50000h at -40°C
L85 50000h at 45°C
- Luminaire input power*: 230.7 W Power factor = 0.99
- Standby Power*: 0.5 W
- Dimming: LDO dimmable to 10% over DALI
- Maintenance category: E - Dust-proof IP5X

Please also consult the additional information on the next page

CRAFT L



ZUMTOBEL

<CRAFT L LED34000-840 PC WB LDO WH

42183599

LED high-bay luminaire

All values marked with an * are rated values. Luminous flux and connected electrical load are subject to an initial tolerance of +/- 10%. Unless stated otherwise, the values apply to an ambient temperature of 25°C.
The level of luminous flux reduces over the life cycle due to technological reasons. The failure of up to 16 LED points causes no functional impairment and is therefore no reason for complaint.

We reserve the right to make technical changes without prior notice. 26.03.2021 © Zumtobel - 5-year guarantee in compliance with the terms of guarantee at www.zumtobel.com/guarantee