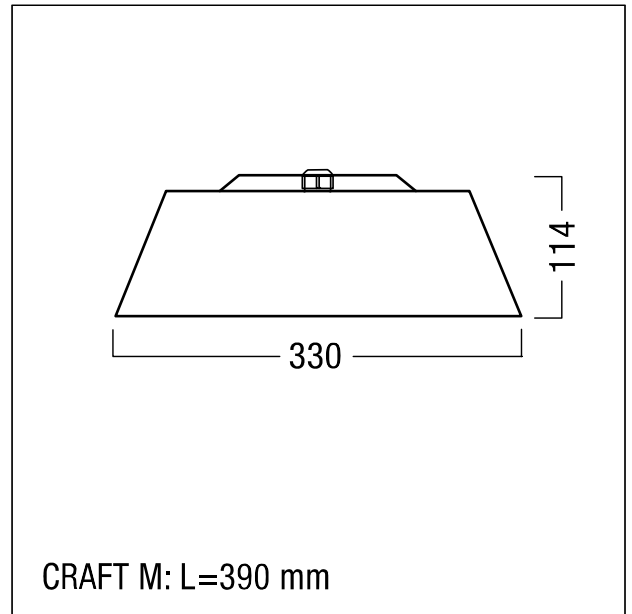


LED high-bay luminaire

LED high-bay luminaire total power: 130 W, includes DALI- and emergency supply-compatible LED converter, die-cast aluminium housing in matt, white. Powder-coated cooling ribs for optimum thermal management and minimal dust accumulation. Cover of transparent polymethylmethacrylate (PM) and additional glass cover (safety glass) for challenging industrial applications. Slave luminaire for DALI control (DALI only) with LED converter. LED service life lasts 50000 h before luminous flux is reduced to 85% of the initial value over the entire ambient temperature range. Chromaticity tolerance (initial MacAdam): 3. Luminaire luminous flux: 16800 lm, Luminaire efficacy: 129 lm/W. Colour rendering Ra > 80, colour temperature 4000 K. Sealed, high-efficiency optical lens system, Luminaire with symmetric wide light distribution (wide beam) square, UGR <25. Pre-assembled 5 x 1mm² connecting cable, length 1.5m, with free ends, included in scope of supply (suspension with at least 250 mm distance to ceiling); Luminaire wired with halogen-free leads and contains no silicone. Please note: please talk to your adviser if you planning to use the luminaire in environments containing chemical pollutants. Class of protection: SC1; degree of protection: IP65; ambient temperature: -40°C to +45°C; Dimensions: 390 x 330 x 114 mm. Weight: 6 kg.



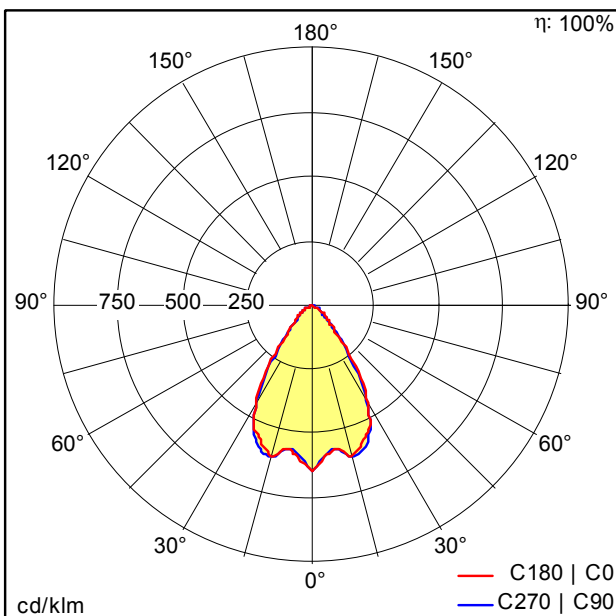
ZS_CRF_F_CRAFT_M_PMMA.jpg



ZS_CRF_M_LED_M.wmf

Light Distribution

STD - standard



D34741AA_CRAFT_HO_LED17000-840_L330_PM_WB.Idt

- Light Source: LED
- Luminaire luminous flux*: 16800 lm
- Luminaire efficacy*: 129 lm/W
- Colour Rendering Index min.: 80
- Ballast: 1 x 00154861 DRV PH XI 150W 700mA 300V D #iXt Ip
- Correlated colour temperature*: 4000 Kelvin
- Chromaticity tolerance (initial MacAdam)*: 3
- Rated median useful life*:
50000h L85 at -40°C
50000h L85 at 45°C
- Luminaire input power*: 130 W Lambda = 0.98
- Standby Power*: 0.5 W
- Dimming: LDO dimmable to 10% over DALI
- Maintenance category: E - Dust-proof IP5X

All values marked with an * are rated values. Luminous flux and connected electrical load are subject to an initial tolerance of +/- 10%. Tolerance of color temperature: +/- 150 K. Unless stated otherwise, the values apply to an ambient temperature of 25°C.

The level of luminous flux reduces over the life cycle due to technological reasons. The failure of up to 8 LED points causes no functional impairment and is therefore no reason for complaint.