

96628406 <PRIM L2 LED4600-840 WB HF END SET

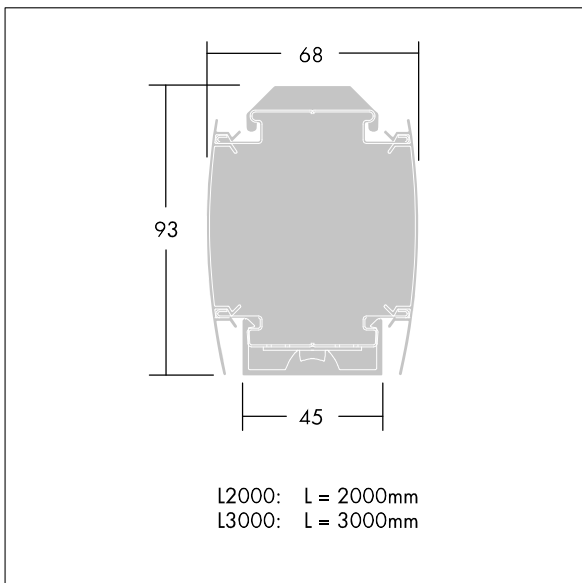


2000 mm length of trunking, for direct ceiling fixing or suspended mounting on wire or chains, with 4 600 lm LED luminaire with wide distribution. LED converter. Roll-formed sheet steel in Polyester lacquered finish. Class I electrical, IP20. End module, without mechanical connector. Supplied with plug-in, 7-pole through wiring. Complete with side panels. Complete with 4000K LED.

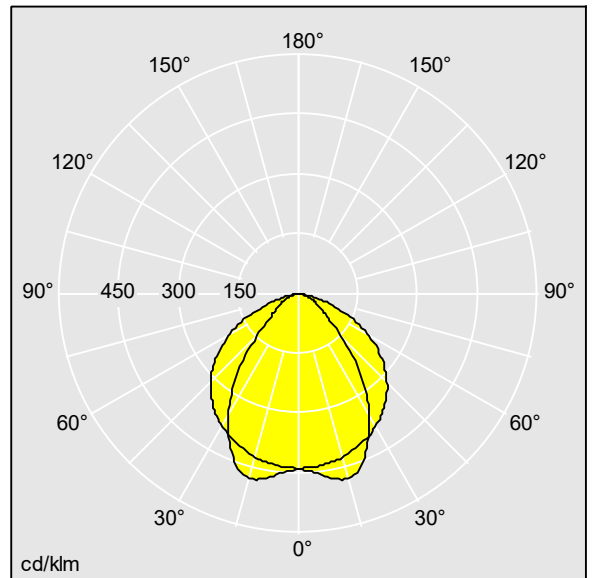
Dimensions: 2000 x 68 x 93 mm
 Luminaire input power: 30 W
 Luminaire luminous flux: 4590 lm
 Luminaire efficacy: 153 lm/W
 Weight: 4.7 kg



TLG_PMM5_F_LEDpdb.jpg



TLG_PMML_M_LED_bestueckt.wmf



D33176AA_PRIMATA_L2000_LED4600-840_WB.ltd

Lamp position: STD - standard
 Light Source: LED
 Luminaire luminous flux*: 4590 lm
 Luminaire efficacy*: 153 lm/W
 Colour Rendering Index min.: 80
 Correlated colour temperature*: 4000 Kelvin

Chromaticity tolerance (initial MacAdam): 3
 Rated median useful life*:
 L90 50000 h at 25 °C
 Ballast: 1x LED_Con Philips Driver 00152562
 Luminaire input power*: 30 W Power factor = 0.95
 Maintenance category CIE 97: D - Enclosed IP2X
 LOR: 1,00 ULOR: 0,00 DLOR: 1,00

This product contains a light source of energy efficiency class D.

All values marked with an * are rated values. Thorn uses tried and tested components from leading suppliers, however there may be isolated instances of technology-related failures of individual LEDs during the rated product lifetime. International standards set the tolerance in initial flux and connected load at $\pm 10\%$. Unless stated otherwise, the values apply to an ambient temperature of 25°C. Risk group