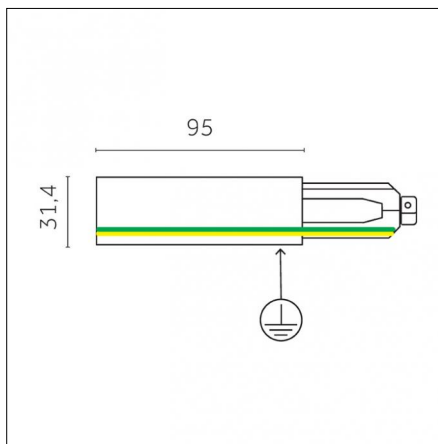
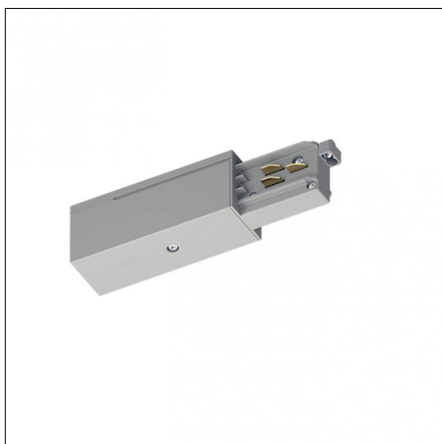


### Accessories



**Code 0.02038.0010**

**Type:** Mounting

**Physical features**

**Finishing:** White (Standard)

**Description:** Left, Earth conductor - Right.

Luminaire constructed in conformity with Directives 2014/35/EU (LV), 2014/30/EU (EMC), 2009/125/EC (Ecodesign) with Regulations (EC) No 245/2009, (EU) No 347/2010 and (EU) 2015/1428 (for luminaires with fluorescent and metal halide lamps only), 2009/125/EC (Ecodesign) with Regulations (EU) No 1194/2012 and 2015/1428 (for LED luminaires only), 2011/65/EU (RoHS 2) and 2012/19/EU (WEEE).

**Reggiani SPA Illuminazione**  
Viale Monza, 16 20845 Sovico (MB) Italy  
Tel. (+39) 039 2071.1 fax (+39) 039 2071 999

[www.reggiani.net](http://www.reggiani.net)  
[contact@reggiani.net](mailto:contact@reggiani.net)