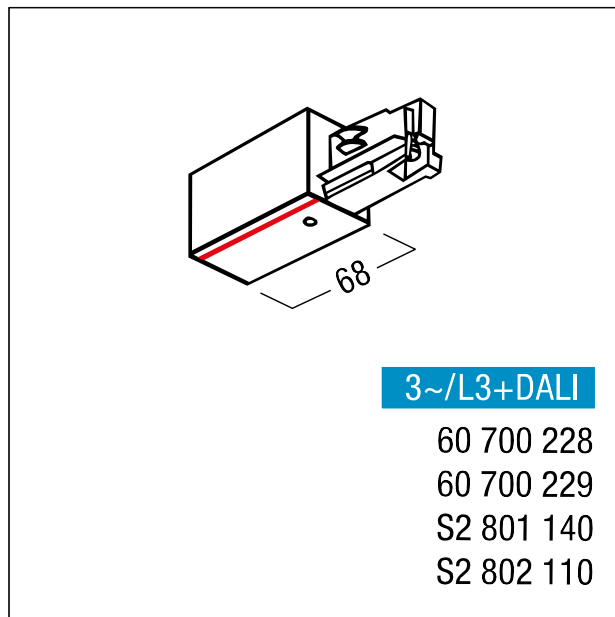


L3+DALI initial feed

L3+DALI initial feed, white; protective earth conductor on right; polarization key on left; plastic parts made of Polycarbonate (PC); cable entry located at end and from track rear; maximum current load of phase: 16A; installed size: 68x34x34 mm; overall dimensions: 110x34x34 mm



ZS_ST5_F_Anfangseinspeis.jpg



3~/L3+DALI

60 700 228

60 700 229

S2 801 140

S2 802 110

ZS_ST5_M_EINSPEIS-R_L3.wmf