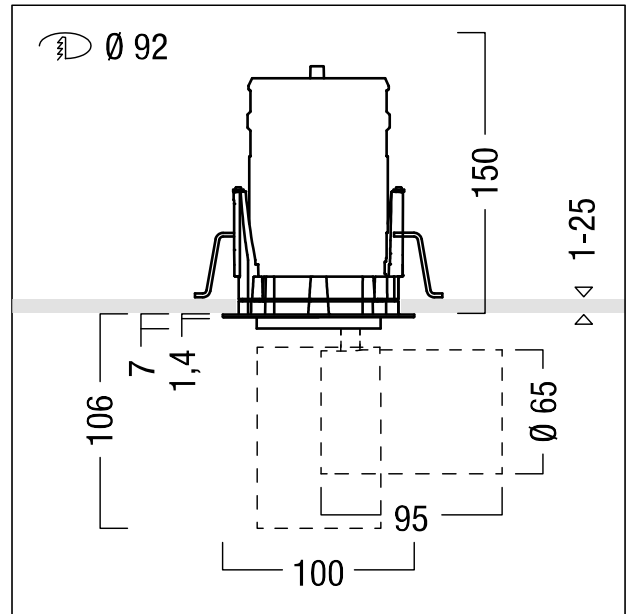


LED ceiling-recessed luminaire

Recessed luminaire unit with 1 LED spotlight head, "maxi" construction size; equipped with lens system for high quality accent lighting in museums and exhibitions spaces; combination of LED PCBs, lens and film creates uniform light distribution with high intensity and soft transitions, without stray light from the light cone; lamp(s): 1/11.4W, Colour rendering Ra > 90, colour temperature 3000 K; Luminaire or spotlight with FLOOD light distribution; colour tolerance: SDCM 2 initial, LED PCBs premium-selected; Luminaire luminous flux: 950 lm, Luminaire efficacy: 83 lm/W; service life: 50000h for luminous flux at 90% of initial value; lamp unit can rotate through 350°, tilt through 90° and is completely retractable; lamp unit and recessed housing of die-cast aluminium, white coated, cover ring coated white; optic consists of glass lens and Plastic film; front ring is for glare reduction and accommodating films; mounting using concealed screws in ceilings of thickness 1-25mm; ceiling cutout: Ø92mm, recess depth: 150mm; weight: 0.55 kg
 Note: connection cable and distributor separately; film can be replaced to achieve other light distribution patterns; ring louvre or the extended anti-glare cylinder can be exchanged for the front ring
 Use with presence/motion sensors is not permissible



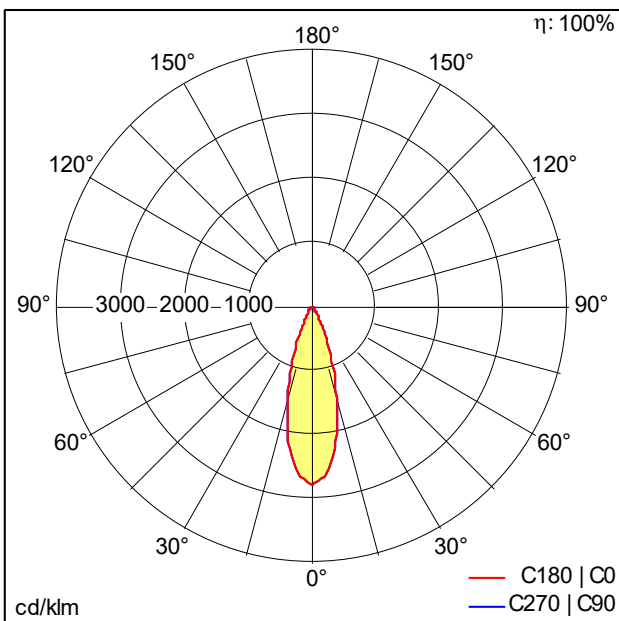
ZS_SU2_F_R_L_LED_R92_WH.jpg



ZS_SU2_M_R_L_LED_R92_WH.wmf

Light Distribution

STD - standard



- Light Source: LED
- Luminaire luminous flux*: 950 lm
- Luminaire efficacy*: 83 lm/W
- Colour Rendering Index min.: 90
- Correlated colour temperature*: 3000 Kelvin
- Chromaticity tolerance (initial MacAdam): 2
- Rated median useful life*: L90 50000 h at 25 °C
- Luminaire input power*: 11.4 W
- Maintenance category CIE 97: C - Closed Top Reflector

This product contains a light source of energy efficiency class F.

All values marked with an * are rated values. Connected electrical load and luminous flux are subject to an initial tolerance of +/- 10%, the most similar colour temperature is subject to an initial tolerance of +/- 150K. Unless stated otherwise, the values apply to an ambient temperature of 25°C.