

Datasheet

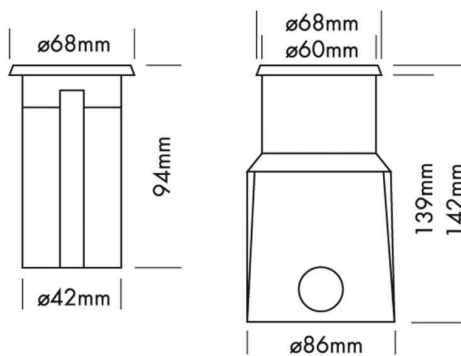
PROLED REC IP68 LIGHT 1x 3 Watts TRILED RGB

PROLED[®]

Article number: L13618
Article name: PROLED REC IP68 LIGHT 1x 3 Watts TRILED RGB
Article description: PROLED IP68 REC LIGHT 1x3 WATT TRILED RGB
GTIN: 4251158400471



picture similar



Article description:

The PROLED REC IP68 LIGHT is suitable as underwater spotlight for fountains, pools, ponds, water gardens etc. for atmospheric or underwater lighting.

- dimmable and controllable with suitable PWM dimmers or MULTI power supplies/controllers
- incl. plastic mounting sleeve
- The mounting sleeve for REC IP68 LIGHT 1x 3 Watt is not waterproof. The sealing must be installed on-site.

With correct installation and suitable thermal management.

This IP68 luminaire can not be operated out of water for over 15 minutes (cooling).

Date: 3.9.2024

Technical amendments and errors reserved.

PROLED[®]

MBN GmbH | Balthasar-Schaller-Str. 3 | 86616 Friedberg | Germany

Phone +49.821.60099-0 | Fax +49.821.60099-99

Central: info@proled.com | Internet: www.proled.com

Registered office of the company: Friedberg | Amtsgericht Augsburg HRB 19419 | Managing Director: Dr. Bernhard Steidl, Christian von Sassen

Datasheet

PROLED REC IP68 LIGHT 1x 3 Watts TRILED RGB

PROLED[®]

Photometrical properties:

Light flux:	130 lm
Light flux red:	40 lm
Light flux green:	80 lm
Light flux blue:	15 lm
Color appearance:	RGB
Beam angle:	25 °

Electrical properties:

Voltage supply:	24 VDC
Polarity connection:	Common Cathode (CC)
Electrical safety class:	III
Power consumption:	4 W
Luminaire luminous efficacy:	33 lm/W
Control:	with separate controller

Technical properties:

Connection:	cable to open wires; 4 x 0.75 mm ² ; 300 cm
IP safety class:	IP68 (for under water use)
Adjustable:	not adjustable
Reflector surface:	without

Housing and size:

Size:	68 x 142 mm (d x h)
Housing colour:	silver
Housing material:	Stainless steel
Housing surface:	shiny
Product weight:	0,700 kg

Date: 3.9.2024

Technical amendments and errors reserved.

PROLED[®]

MBN GmbH | Balthasar-Schaller-Str. 3 | 86616 Friedberg | Germany

Phone +49.821.60099-0 | Fax +49.821.60099-99

Central: info@proled.com | Internet: www.proled.com

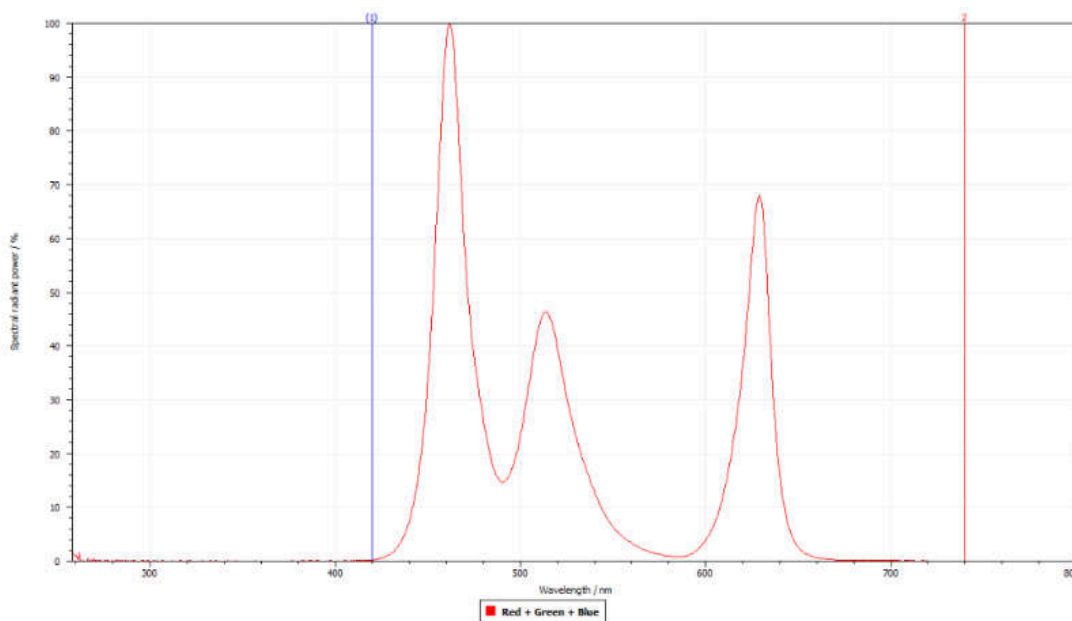
Registered office of the company: Friedberg | Amtsgericht Augsburg HRB 19419 | Managing Director: Dr. Bernhard Steidl, Christian von Sassen

Mounting instructions:

For outdoor use:	✓
Mounting place:	Wall-ceiling installation, Floor installation
Mounting type:	plugged
Installation dimensions:	86 x 139 mm (d x t)
Operating device:	excl. driver
Ambient temperature:	-10 °C to 40 °C
Average lifetime**:	50.000 h at L80/B10

** With correct installation and suitable thermal management.

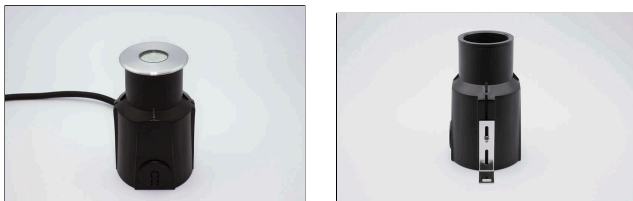
Spectral distribution:



Flags:



Detail and realisation pictures:



Information on the Ecodesign Directive:

This product counts as „containing product“ according to directive (EU) 2019/2020 and (EU) 2019/2015. The light source is part of the containing product. A separation of the light source and the containing product using commonly available tools is not possible with this product, because hereby the containing product will be destroyed. Replacement of the light source using commonly available tools is not possible with this product, because hereby the containing product will be destroyed. Replacement of the separate control gear using commonly available tools is possible with this product. The light source can be removed for testing purposes. Installation and commissioning may only be performed by qualified persons. National installation regulations must be observed. Luminaires must be disconnected from mains before any work.

