

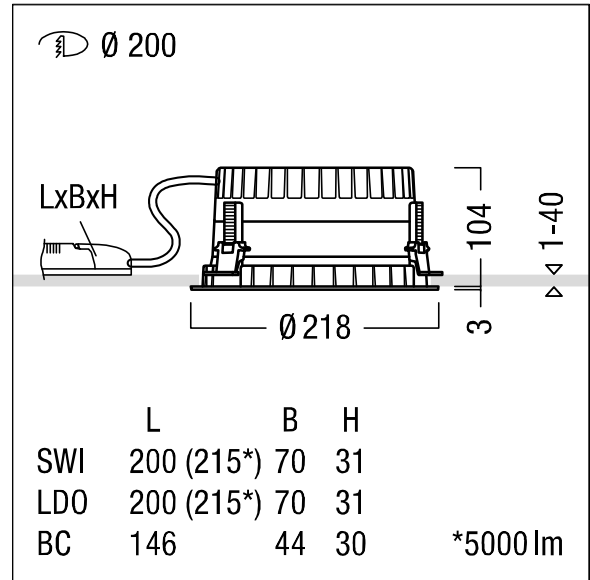
LED ceiling-recessed luminaire

LED ceiling-recessed luminaire (pre-assembled luminaire) R200; ; symmetric wide beam light distribution (), maximum luminaire efficiency and optimum downlight lighting technology; high sustainability due to consistent, maximum modular design and interchangeable components, Replaceable LED module; Colour rendering Ra > 90 (R9> 50), colour temperature 4000 K; Chromaticity tolerance (initial MacAdam): 2; Luminaire input power: 17.5 W; Luminaire luminous flux: 2690 lm; Luminaire efficacy: 154 lm/W; Rated median useful life: L90 100000 h at 25 °C + L95 50000 h at 25 °C, with separate plug-in LED converter, Slave luminaire for DALI control (DALI only) with DC functionality, adjustable 1-100 %, emergency power level preset to 15%, NFC configurable, SwitchDIM compatible; high-quality reflector unit fixed to modular LED lighting chamber by twist-and-lock mechanism; high-efficiency LED lighting chamber integrated in optimised, passive thermal management made of high-quality heat-dissipating polycarbonate; reflector/trim made of high-quality, UV-resistant polycarbonate; reflector: faceted, aluminized, highly reflective, iridescence-free; trim: black; mounting surround made of polycarbonate; black; protection rating: IP54_IP20; luminaire wired with halogen-free leads; electrical connection: 5-pole connector terminal; Through-wiring possible; mains voltage: 220-240 V / 0/50/60 Hz, for use with central battery 220-240V DC; ; Installation: tool-free quick installation using antislip spring clips in ceilings of thickness 1-40 mm (depending on the luminaire variant) due to interchangeable retaining bars; luminaire unit can be fitted quickly without tools using twist-and-lock mechanism; ceiling cut-out: 200 mm, recess depth: 120mm; weight: 1.09 kg

For office applications in accordance with EN12464 (UGR<19 reflector type sputtered aluminium)



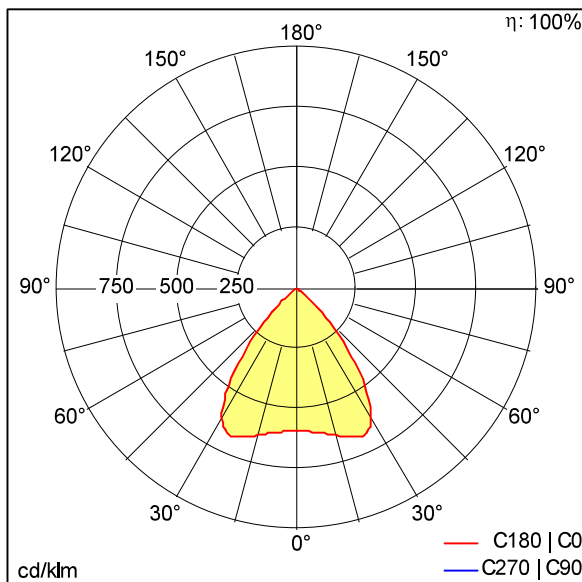
ZS_PA3_F_R_R200_H_FAL_BK_PC.jpg



ZS_PA3_M_R200H.wmf

Light Distribution

STD - standard



- Light Source: LED
- Luminaire luminous flux*: 2690 lm
- Luminaire efficacy*: 154 lm/W
- Colour Rendering Index min.: 90
- Correlated colour temperature*: 4000 Kelvin
- Chromaticity tolerance (initial MacAdam): 2
- Rated median useful life*: L90 100000 h at 25 °C
L95 50000 h at 25 °C
- Ballast: LED Driver, dimmable
- Luminaire input power*: 17.5 W Power factor = 0,9
- Standby Power*: 0.45 W
- Control: DALI only control
- Total harmonic distortion (THD): 15.10 %

PANOS III Recessed



ZUMTOBEL

PANOS R R200 3k 940 LDO H FAL BK

62929981

LED ceiling-recessed luminaire

This product contains a light source of energy efficiency class B.