

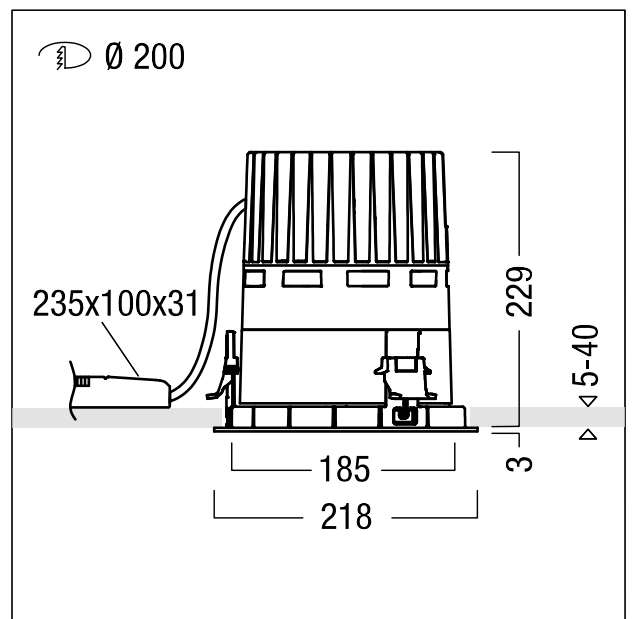
LED ceiling-recessed luminaire

LED ceiling-recessed luminaire (pre-assembled luminaire); high luminaire luminous flux for applications with high ceilings; "stableWhite" LED luminaire, optimised lighting technology with symmetric light distribution; lamp(s): 85 W LED930; Colour rendering Ra > 90, colour temperature 3000 K (warm white); Chromaticity tolerance (initial MacAdam): 3; Luminaire luminous flux: 7200 lm, Luminaire efficacy: 84 lm/W; service life: 50000h for luminous flux at 85% of initial value; includes controllable ballast (dimmable Dali only/switchDim), separate unit connected to luminaire via connector system; lighting chamber and high quality reflector unit appear as one harmonised unit; optimised passive thermal management system made of die-cast aluminium, black; 2-part reflector unit made of high quality, UV-resistant polycarbonate; upper reflector part: SPOT distribution characteristic; reflector: faceted, aluminium-sputtered, highly reflective, iridescence-free (13 °), includes structured glass panel (ESG); lower reflector part/trim: smooth, highly reflective aluminized finish, iridescence-free, cover ring white; IP20; luminaire wired with halogen-free leads; electrical connection: 5-pole connector terminal, loop-in/loop-out possible; mains voltage: 220-240V / 0/50/60Hz; for use with 220V DC central battery in compliance with EN 60598-2-22, emergency power level preset to 15% (can be factory programmed between 1% - 100%); installation: mounting ring made of Glass fibre-reinforced polycarbonate (PC), grey with anti-slip spring clips for tool-free recessed mounting in ceilings of thickness 5-40mm; ceiling cut-out: 200mm, recess depth: 250mm + ceiling thickness; luminaire unit can be fitted quickly without tools using twist-and-lock mechanism; weight: 2.98 kg; "trimless" version (TL) without cover ring is not possible.

Note: To achieve EN12464 compliance in office applications (UGR<19, aluminized reflector type), please order an additional antiglare ring



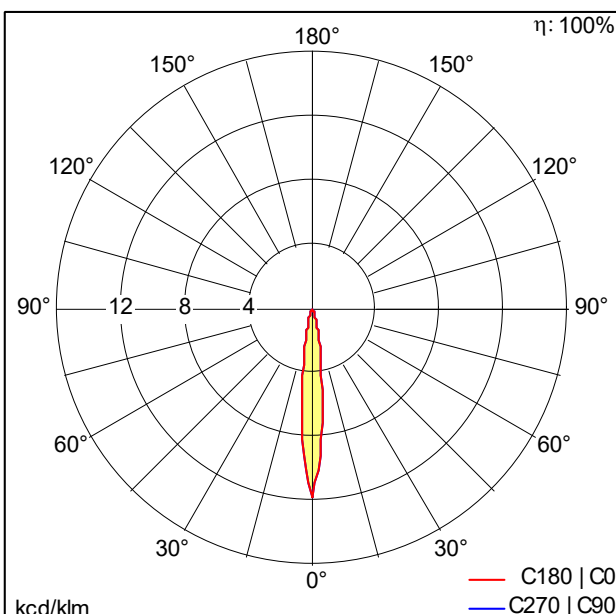
ZS_PAI_F_R200_HighLumen_Spot_Rahmen.jpg



ZS_PAN_M_INF_R200H_SP_FL.wmf

Light Distribution

STD - standard



Please also consult the additional information on the next page ST8763.ltd

- Light Source: LED
- Luminaire luminous flux*: 7200 lm
- Luminaire efficacy*: 84 lm/W
- Colour Rendering Index min.: 90
- Ballast: 1 x 28001571 LCA 100W 1100-2100mA one4all SR PRE
- Correlated colour temperature*: 3000 Kelvin
- Chromaticity tolerance (initial MacAdam): 3
- Rated median useful life*: L85 50000 h at 25 °C
- Luminaire input power*: 85.4 W Power factor = 0.98
- Standby Power*: 0.11 W
- Dimming: LDO dimmable to 1% over DALI
- Maintenance category CIE 97: C - Closed Top Reflector

PANOS infinity



ZUMTOBEL

PANOS INF R200 85W 930 LDO SP-FAL WH

60816724

LED ceiling-recessed luminaire

This product contains a light source of energy efficiency class E.

All values marked with an * are rated values. Connected electrical load and luminous flux are subject to an initial tolerance of +/- 10%, the most similar colour temperature is subject to an initial tolerance of +/- 150K. Unless stated otherwise, the values apply to an ambient temperature of 25°C.

We reserve the right to make technical changes without prior notice. 09.07.2025 © Zumtobel - 5-year guarantee in compliance with the terms of guarantee at www.zumtobel.com/guarantee