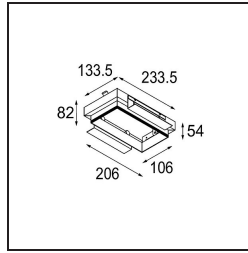
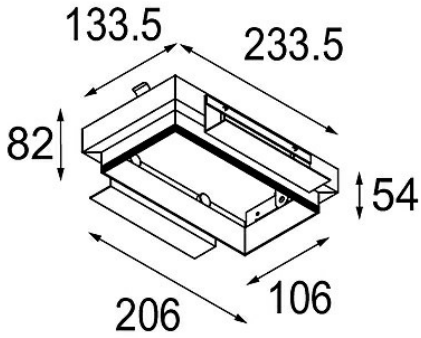


Date _____
Customer _____
Project _____
Type _____

Plaster Kit Trimless 233x133 - 206x106 2x



Specifications

Material	10460230
Lamp Included	No
Number of Light Sources	2
IP Rating	20
Glow wire rating (°C)	960
Indoor/Outdoor	Indoor
Application	Ceiling, Wall
Adjustability	Not Applicable
Gross weight (g)	535.0