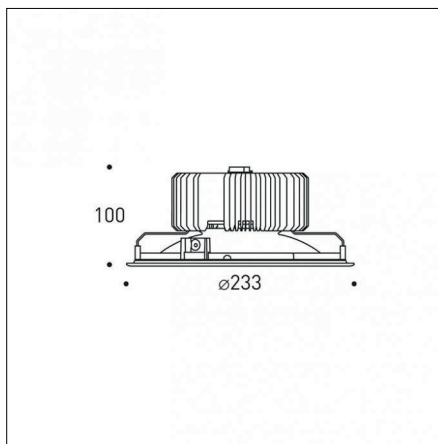


Indoor | Recessed luminaires | Miled



**CUT
OUT**

220mm



Wide 76°

10

IP43



Risk 1

850°



Code 0.NE2P0.NN10

Light source features

Number of light sources: 1

Source type: LED NN

Watt: 32W

Lm: 3450lm

Lm/W: 108lm/W

Kelvin/CRI: 4000K / >80

SDCM/L80 B10: < 3 / 50000

Electrical features

Driver included: YES

Driver position: remote

Driver type: On-Off 220/240 Vac 50/60 Hz

Total power consumption (LED + DRIVER): 36W

Isolation class: Class II

Optical features

Beam angle: 76°

Optical type, adjustability: Fixed

Interchangeable optic (IOS): YES

Physical features

Material: Die-cast aluminium

Mounting: Recessed

Fixing: Ceiling

Finishing: White (Standard)

Weight: 0.5Kg

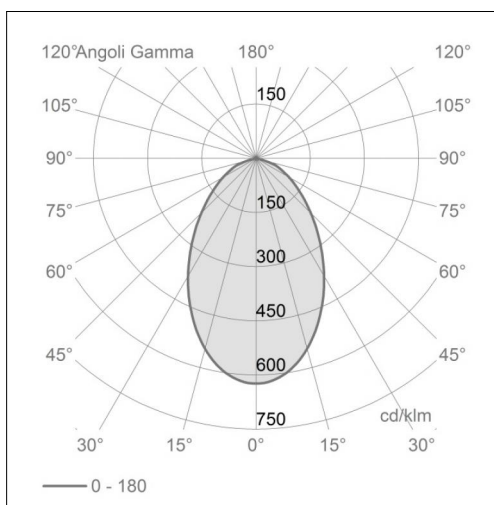
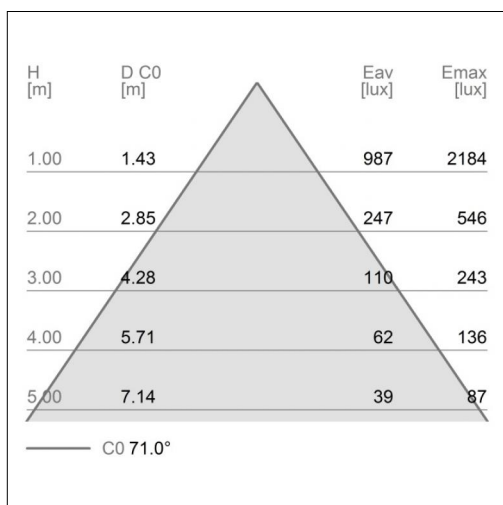
Luminaire constructed in conformity with Directives 2014/35/EU (LV), 2014/30/EU (EMC), 2009/125/EC (Ecodesign) with Regulations (EC) No 245/2009, (EU) No 347/2010 and (EU) 2015/1428 (for luminaires with fluorescent and metal halide lamps only), 2009/125/EC (Ecodesign) with Regulations (EU) No 1194/2012 and 2015/1428 (for LED luminaires only), 2011/65/EU (RoHS 2) and 2012/19/EU (WEEE).

Reggiani SPA Illuminazione

Viale Monza, 16 20845 Sovico (MB) Italy
Tel. (+39) 039 2071.1 fax (+39) 039 2071 999

www.reggiani.net
contact@reggiani.net

Photometries



Luminaire constructed in conformity with Directives 2014/35/EU (LV), 2014/30/EU (EMC), 2009/125/EC (Ecodesign) with Regulations (EC) No 245/2009, (EU) No 347/2010 and (EU) 2015/1428 (for luminaires with fluorescent and metal halide lamps only), 2009/125/EC (Ecodesign) with Regulations (EU) No 1194/2012 and 2015/1428 (for LED luminaires only), 2011/65/EU (RoHS 2) and 2012/19/EU (WEEE).