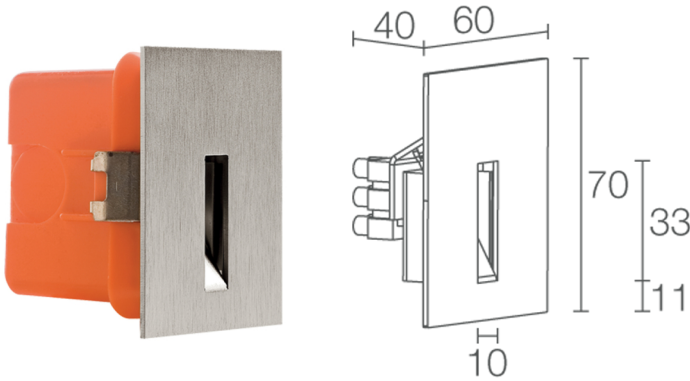


Made in Italy

- Line 1.0, code: FL1270FDB  
Step lights for indoor applications

26/06/2025 Rev. 08/2024



## DESCRIPTION

step light for indoor applications; recessed (solid walls); Power consumption: max 2W; Power supply: max 500mA; Lumen output at source: 145 lm (3000K, 500mA); Delivered lumen output: 32 lm (3000K, 500mA); 1 power LED, 1/4 ANSI BIN, 50 000h L90 B10 (Ta 25°C); LED colour: 2700K; Optics: diffuse; CRI Colour Rendering Index: 80; Body material: body and cover in steel; Finishes: white (RAL 9003); RAL finish on request; power supply unit not included; Wiring: series; terminal block; Control system: dimming via dimmable driver; Ingress protection: IP20; Casambi control using the Casambi app with dedicated electronics; Operating temperature: 0°C — +45°C; Photobiological safety: photobiological safety: risk group 1 according to EN 62471:2006; Appliance class: class III; Weight: 160 g; Dimensions: 70x60x40 mm; Energy efficiency class: F (light source) in accordance with EU 2019/2015; Accessories: WC0300 Outer casing for solid walls; tested and approved via E.O.L. (End Of Line) test with functioning test and check of electrical power consumption

Status: Available

**ELECTRICAL CHARACTERISTICS**

|                   |                                |
|-------------------|--------------------------------|
| Power consumption | max 2W                         |
| Power supply      | max 500mA                      |
| Power supply unit | power supply unit not included |
| Control system    | dimming via dimmable driver    |
| Wiring            | series                         |

**LIGHTING CHARACTERISTICS**

|                            |                           |
|----------------------------|---------------------------|
| Number and type of LED     | 1 power LED               |
| Average LED life           | 50 000h L90 B10 (Ta 25°C) |
| LED colour                 | 2700K                     |
| CRI Colour Rendering Index | 80                        |
| Binning                    | 1/4 ANSI BIN              |
| Optics                     | diffuse                   |
| Lumen output at source     | 145 lm (3000K, 500mA)     |
| Delivered lumen output     | 32 lm (3000K, 500mA)      |

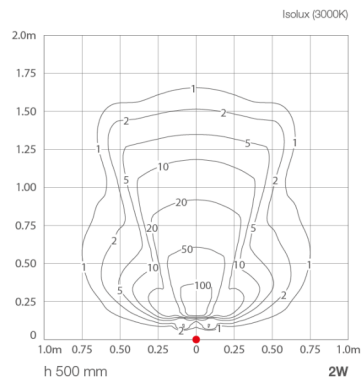
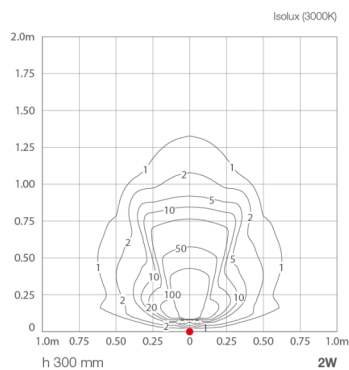
**MECHANICAL CHARACTERISTICS**

|               |                         |
|---------------|-------------------------|
| Dimensions    | 70x60x40 mm             |
| Weight        | 160 g                   |
| Finishes      | white RAL 9003          |
| Mounting      | with outer casing       |
| Body material | body and cover in steel |

**GENERAL CHARACTERISTICS**

|                         |                                                                  |
|-------------------------|------------------------------------------------------------------|
| Ingress protection      | IP20                                                             |
| Operating temperature   | 0°C — +45°C                                                      |
| Energy efficiency class | F (light source) in accordance with EU 2019/2015                 |
| Appliance class         | class III                                                        |
| Walkover                | no                                                               |
| Drive-over              | no                                                               |
| Power cables            | terminal block                                                   |
| Photobiological safety  | photobiological safety: risk group 1 according to EN 62471:2006  |
| Notes                   | Casambi control using the Casambi app with dedicated electronics |

## PHOTOMETRIC DATA



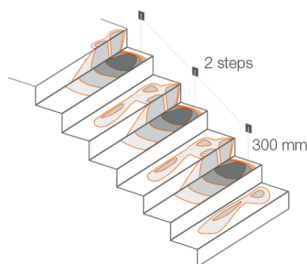
## ACCESSORIES

### Installation Accessories



#### WC0300

Outer casing for solid walls  
Required outer casing not included



L&L Luce&Light SRL reserves the right to change the information contained in this document at any time without prior notice being given.