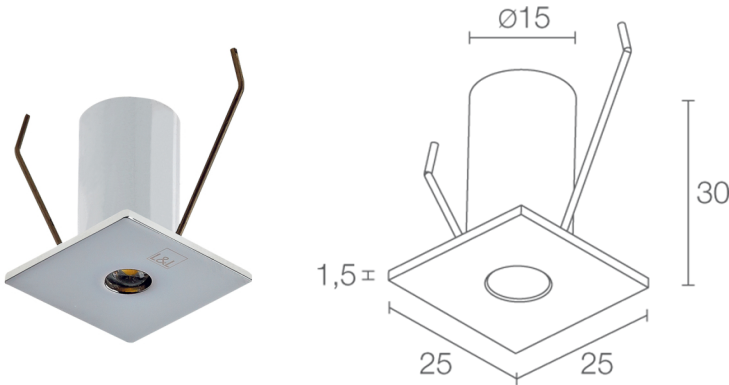


Made in Italy

■ Eyes 1.8, code: EY18115DD
Recessed for indoor applications

26/06/2025 Rev. 09/2024



DESCRIPTION

recessed downlight for indoor applications; recessed (ceiling); Power consumption: 1W; Power supply: 24Vdc; Lumen output at source: 110 lm (3000K); Delivered lumen output: 54 lm (3000K, 40°); 1 power LED, 1/4 ANSI BIN, 50 000h L90 B10 (Ta 25°C); LED colour: 3000K; Optics: diffuse; CRI Colour Rendering Index: 80; Body material: body in aluminium, trim in brass; Finishes: gold; RAL finish on request; Thickness of installation surface: min 5 mm, max 25 mm; power supply unit not included; includes 1.5 m PVC cable FROR 2x0.35 Ø3.5 m; Ingress protection: IP40; Casambi control using the Casambi app with dedicated electronics; Protection systems: EPS protects fixtures for indoor applications against electrical problems. This innovation, patented by L&L, guarantees electrical protection against polarity reversal, hot plugging and voltage spikes of up to 48Vdc, which can occur if there are faults in the electrical circuit; Operating temperature: 0°C — +45°C; Photobiological safety: photobiological safety: risk group 1 according to EN 62471:2006; Appliance class: class III; Weight: 80 g; Dimensions: 25x25x30 mm; Cutout dimensions: Ø18 mm; Volume of thermal heatsink: Ø70x90 mm; Energy efficiency class: F (light source) in accordance with EU 2019/2015; tested and approved via E.O.L. (End Of Line) test with functioning test and check of electrical power consumption

Status: Available

ELECTRICAL CHARACTERISTICS

Power consumption	1W
Power supply	24Vdc
Power supply unit	power supply unit not included

LIGHTING CHARACTERISTICS

Number and type of LED	1 power LED
Average LED life	50 000h L90 B10 (Ta 25°C)
LED colour	3000K
CRI Colour Rendering Index	80
Binning	1/4 ANSI BIN
Optics	diffuse
Lumen output at source	110 lm (3000K)
Delivered lumen output	54 lm (3000K, 40°)

MECHANICAL CHARACTERISTICS

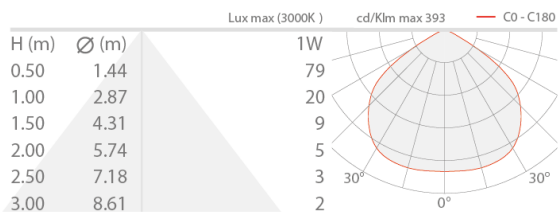
Dimensions	25x25x30 mm
Weight	80 g
Finishes	gold
Mounting	with fixing springs
Body material	body in aluminium, trim in brass
Cutout dimensions	Ø18 mm
Volume of thermal heatsink	Ø70x90 mm

GENERAL CHARACTERISTICS

Ingress protection	IP40
Operating temperature	0°C — +45°C
Energy efficiency class	F (light source) in accordance with EU 2019/2015
Appliance class	class III
Walkover	no
Drive-over	no
Power cables	includes 1.5 m PVC cable FROR 2x0.35 Ø3.5 m
Protection systems	EPS (Electrical Protection System)
Photobiological safety	photobiological safety: risk group 1 according to EN 62471:2006
Notes	Casambi control using the Casambi app with dedicated electronics

PHOTOMETRIC DATA

D – Diffuse



L&L Luce&Light SRL reserves the right to change the information contained in this document at any time without prior notice being given.