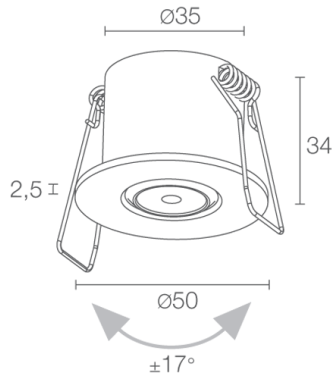


Made in Italy

- Eyes 3.6, code: F36009LN
Recessed for indoor applications



DESCRIPTION

recessed downlight for indoor applications; recessed (ceiling); Power consumption: 2W; Power supply: 24Vdc; Lumen output at source: 145 lm (3000K); Delivered lumen output: 103 lm (3000K, 20°); 1 power LED, 1/4 ANSI BIN, 50 000h L90 B10 (Ta 25°C); LED colour: 4000K; Optics: 40° tiltable $\pm 17^\circ$; CRI Colour Rendering Index: 80; Body material: body in aluminium, trim in brass; Finishes: black (RAL 9005); RAL finish on request; Thickness of installation surface: min 5 mm, max 25 mm; power supply unit not included; includes 1.5 m PVC cable FROR 2x0.35 $\varnothing 3.5$ m; Ingress protection: IP40; version with LED colour 2200K and IP44 available on request; Protection systems: EPS protects fixtures for indoor applications against electrical problems. This innovation, patented by L&L, guarantees electrical protection against polarity reversal, hot plugging and voltage spikes of up to 48Vdc, which can occur if there are faults in the electrical circuit; Operating temperature: 0°C — +45°C; Photobiological safety: photobiological safety: risk group 1 according to EN 62471:2006; Appliance class: class III; Weight: 150 g; Dimensions: $\varnothing 50 \times 34$ mm; Cutout dimensions: $\varnothing 40$ mm; Volume of thermal heatsink: $\varnothing 140 \times 90$ mm; Energy efficiency class: F (light source) in accordance with EU 2019/2015; Accessories: WC1501 Outer casing; tested and approved via E.O.L. (End Of Line) test with functioning test and check of electrical power consumption

Status: Product being discontinued

ELECTRICAL CHARACTERISTICS

Power consumption	2W
Power supply	24Vdc
Power supply unit	power supply unit not included

LIGHTING CHARACTERISTICS

Number and type of LED	1 power LED
Average LED life	50 000h L90 B10 (Ta 25°C)
LED colour	4000K
CRI Colour Rendering Index	80
Binning	1/4 ANSI BIN
Optics	40° tilttable ±17°
Lumen output at source	145 lm (3000K)
Delivered lumen output	103 lm (3000K, 20°)

MECHANICAL CHARACTERISTICS

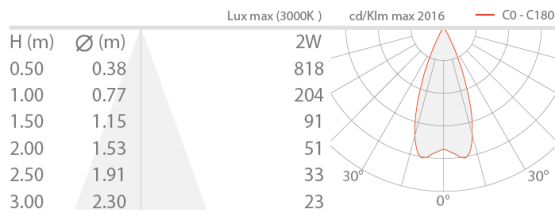
Dimensions	Ø50x34 mm
Weight	150 g
Finishes	black RAL 9005
Mounting	with fixing springs
Body material	body in aluminium, trim in brass
Cutout dimensions	Ø40 mm
Volume of thermal heatsink	Ø140x90 mm

GENERAL CHARACTERISTICS

Ingress protection	IP40
Operating temperature	0°C — +45°C
Energy efficiency class	F (light source) in accordance with EU 2019/2015
Appliance class	class III
Walkover	no
Drive-over	no
Power cables	includes 1.5 m PVC cable FROR 2x0.35 Ø3.5 m
Protection systems	EPS (Electrical Protection System)
Photobiological safety	photobiological safety: risk group 1 according to EN 62471:2006
Notes	version with LED colour 2200K and IP44 available on request

PHOTOMETRIC DATA

L - 40°



ACCESSORIES

Installation Accessories



WC1501
Outer casing

L&L Luce&Light SRL reserves the right to change the information contained in this document at any time without prior notice being given.