

ELIA DL



ELIA DL Flush-mounting LED downlight for lighting entrance areas, corridors and shared spaces, crafted from white power-coated die-cast aluminium with an opal diffusing shield. It is available in two power versions, with separate electronic power supply in the On/Off or DALI options provided as part of a kit, colour temperature of 4,000 K (neutral white) and colour rendering index of more than 80 or more than 90. ELIA DL has been designed to withstand temperature variations from -20°C to + 45°C, and offers protection from water and dust penetration of up to level IP54 and from shocks and impacts of up to level IK06. Light and easy to handle, ELIA DL is easy to install thanks to the connector for the electrical wiring and the quick, simple fin-locking mechanism.

GENERAL INFORMATION

Context	Office
Luminaire	LED luminaire for diffuse light
Aplicație	Internă
Unique digital code (Datamatrix)	Currently not present

Culoare	Alb
Tip sursă de lumină	LED
Puterea sistemului	35 W
LED Lifetime	L80B50 (Tq25°) = 50.000h
Greutate (Kg)	0.8
Garanție	5 ani
Temperatură de stocare	-20° +65°
Operating temperature	-20° +45°

MATERIALS

Body	Aluminiu turnat
Ecran	Polycarbonate
Optic	-
Gasket	-
Locking Hook	-
External screw	-
Colour	Powder coating

STANDARDS AND APPROVALS

Clasificare	-
Dispozitiv cu temperatură la suprafață redusă	-
Certificare DIN 18032-3	-
IPEA	-
Clasă izolație	II
Clasă de protecție IP	IP40 - IP54
Cod IK	IK06
Glow Test conductori	650 °C

OPTIC AND ILLUMINATING FEATURES

Optică	Wide opal
Unified Glare Rating	-
Lumină ieșire (lm)	3200
Efficiency (lm/W)	91

Culoare Temperatură	4000 K
Color Rendering Index	CRI 90
Standard Deviation Colour Matching	SDCM = 3
Photobiological Risk Class	RG0

ELETRICAL AND LIGHTING FEATURES

Tensiune de alimentare	220-240 V
Frecvență nominală (Hz)	50 / 60
Driver	Included
Driver failure rate	F025 = 50.000h Tq 25°C

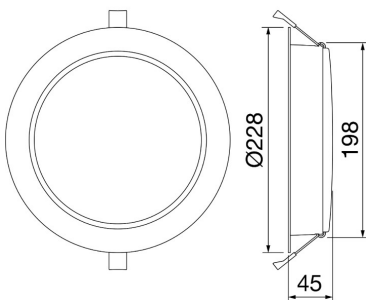
Overvoltage protection	Overvoltage protection 1kV
Control System	PORNIT OPRIT

INSTALLATION AND MAINTENANCE

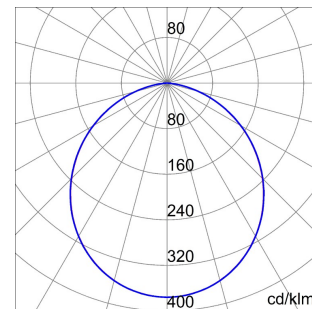
Mouting and installation	Montaj încadrat modular
Tilt	-
Wiring	With connection terminal on driver

Prindere	-
Light souce replaceability	By professional
Controlgear replaceability	By professional
Driver Box	Independent driver unit
Suprafață maximă expusă la vânt	-

DIMENSIONAL



PHOTOMETRIC DISTRIBUTION



TECHNICAL SYMBOLOGY



IP
IP40 - IP54

IK
IK06

GWT
650 °C

STANDARDS/APPROVALS

ELIA DL

