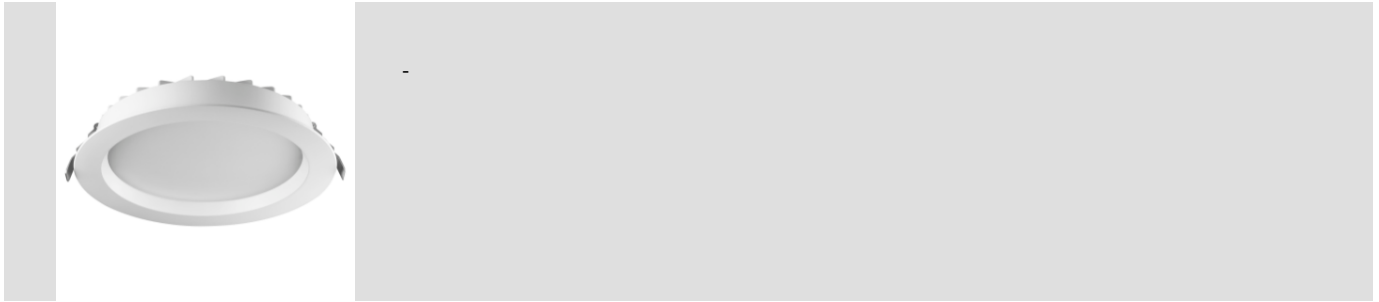
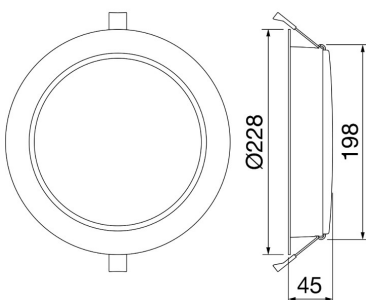


ELIA DL - Downlight LED

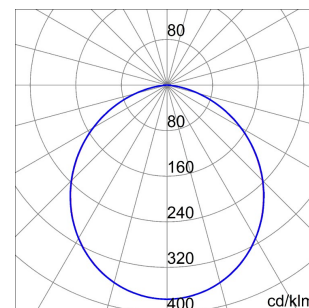


GENERAL INFORMATION		OPTIC AND ILLUMINATING FEATURES	
Context	Office	Optic	Wide opal
Luminaire	LED luminaire for diffuse light	Unified Glare Rating	-
Application	Internal	Lumen output (lm)	3550
Unique digital code (Datamatrix)	Currently not present	Efficiency (lm/W)	101
Colour	White	Colour temperature	4000 K
Type of light source	LED - Not replaceable	Color Rendering Index	CRI 80
System power	35 W	Standard Deviation Colour Matching	SDCM = 3
LED Lifetime	L80B50 (Tq25°) = 50.000h	Photobiological Risk Class	RG0
Weight (kg)	0.8	Standard	-
Warranty	5 years	ELETRICAL AND LIGHTING FEATURES	
Stocking temperature	-20° +65°	Supply voltage	220-240 V
Operating temperature	-20° +45°	Rated frequency (Hz)	50 / 60
MATERIALS		Driver	Included
Body	Die-cast aluminium	Driver failure rate	F025 = 50.000h Tq 25°C
Shield type	Polycarbonate	Overvoltage protection	Overvoltage protection 1kV
Optic	-	Control System	ON OFF
Gasket	-	INSTALLATION AND MAINTENANCE	
Locking Hook	-	Mouting and installation	Modular flush-mounting
External screw	-	Tilt	-
Colour	Powder coating	Wiring	With connection terminal on driver
STANDARDS AND APPROVALS		Fixing	-
Classification	-	Optic Maintenance	Not available
Device with reduced surface temperature	-	LED Maintenance	Not available
DIN 18032-3 certification	-	Driver Box	Independent driver unit
IPEA	-	Maximum surface exposed to the wind	-
Insulation class	II	-	-
IP degree	IP40 - IP54	-	-
Mechanical resistance	IK06	-	-
Glow Wire Test	650 °C	-	-

DIMENSIONAL



PHOTOMETRIC DISTRIBUTION



TECHNICAL SYMBOLOGY



IP

IP40 - IP54

IK

IK06

GWT

650 °C

STANDARDS/APPROVALS





Product Data Sheet
GWF1510QA840

ELIA DL - Downlight LED

