

Chalice Pro

THORN

96642361 CHAL PRO LED3000-840 HFIX RMB W6



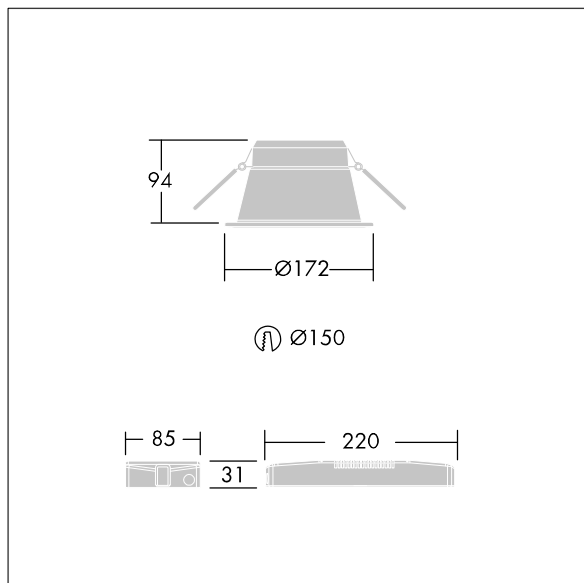
Chalice Pro

A recessed LED downlight. Remote DALI dimmable control gear. IP54 (IP20 from above), Class I electrical. Body: aluminium, painted white (RAL 9016). Reflector: mirrorbrite. Suitable for mounting in ceiling thicknesses of 1-40mm in a Ø150mm cut-out. Complete with 4000K LED.

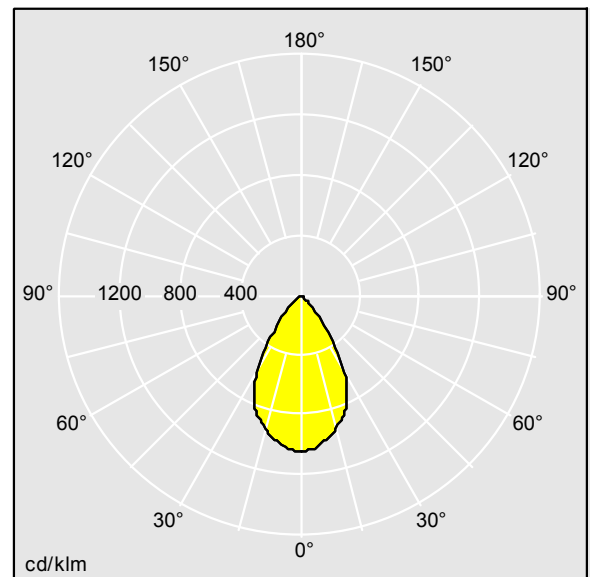
Dimensions: Ø172 x 94 mm
Luminaire input power: 25.4 W
Luminaire luminous flux: 3030 lm
Luminaire efficacy: 119 lm/W
Weight: 0.49 kg



TLG_CHLP_F_RMBPDB.jpg



TLG_CHLP_M_DL1.wmf



TLG_SP_0042328.idt

Lamp position: STD - standard
Light Source: LED
Luminaire luminous flux*: 3030 lm
Luminaire efficacy*: 119 lm/W
Lamp efficacy: 119 lm/W
Colour Rendering Index min.: 80
Ballast: 1 x 28000671 DRV TR LCA 25W 1.05A 50V
D #O4A SR PRE
LOR: 1,00 ULOR: 0,00 DLOR: 1,00

Correlated colour temperature: 4000 Kelvin
Chromaticity tolerance (initial MacAdam): 3
Rated median useful life*:
L90 50000h at 25°C
Luminaire input power*: 25.4 W Power factor = 0.95
Standby Power*: 0.2 W
Dimming: DA2 dimmable to 1%
Maintenance category: C - Closed Top Reflector

All values marked with an * are rated values. Thorn uses tried and tested components from leading suppliers, however there may be isolated instances of technology-related failures of individual LEDs during the rated product lifetime. International standards set the tolerance in initial flux and connected load at $\pm 10\%$. Unless stated otherwise, the values apply to an ambient temperature of 25°C.

In most products the failure of one LED point causes no functional impairment to the lighting performance of the luminaire and is therefore no reason for complaint. Unless otherwise stated all Thorn LED products are suitable for unrestricted use (rated RG0 or RG1) with regard photobiological blue light safety (IEC/EN60598-1).

Thorn Lighting is constantly developing and improving its products. The right is reserved to change specifications without prior notification or public announcement.
© Thorn Lighting