

# Chalice 74

# THORN

**96631505 CHAL 74 LED900-830 WFL IP65 WHM**

<b>LED</b> 9W LED_CHAL74_900_830	RoHS	IP20 65	IK04		CE				650°C	T <sub>a</sub> 0 +40
----------------------------------	------	------------	------	--	----	--	--	--	-------	-------------------------

## Chalice 74

A ceiling recessed, fire-rated, LED downlight. Integral LED driver, suitable for use with leading edge dimmer switches. IP65 (IP20 from above), IK04, Class II electrical. Supplied with wide flood (48°) PMMA lens and matt Die-cast aluminium bezel. Body: steel with aluminium heatsink. Spring clips make the product suitable for tool-free mounting in ceiling thicknesses of 1-25mm in a Ø74-80mm cutout. Tool-free wiring with a fully detachable connector and push-fit terminal block enabling loop-in/loop-out. Complete with 3000K LED. Fully fire rated for 30, 60 and 90 minute ceilings.

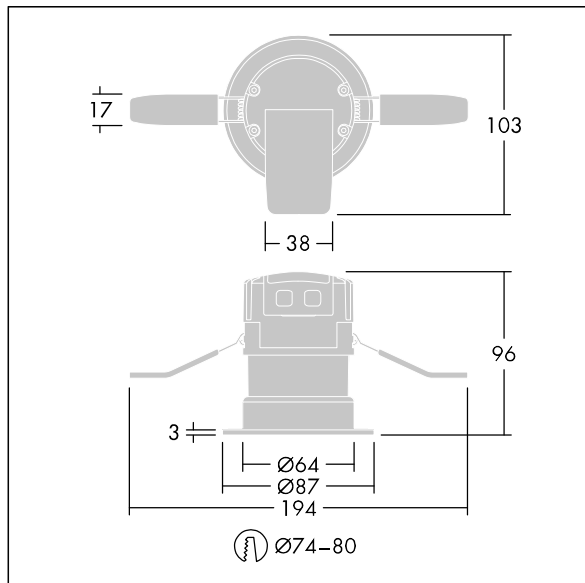
Adaptable light distribution by exchanging the WFL (48°) lens with either FL (31°) or WW (wallwash optic) - available as accessories.

Adaptable aesthetics by exchanging the WHM (matt white) bezel with either WH (gloss white), BKM (matt black), CR (chrome) or AL (brushed aluminium) - available as accessories.

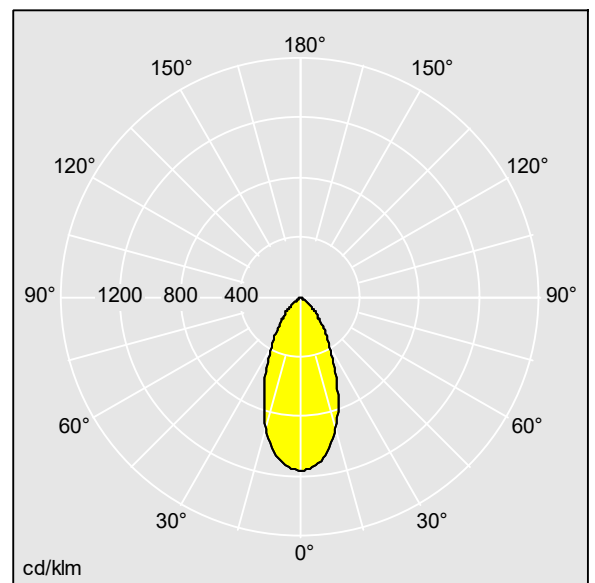
Dimensions: Ø87 x 77 mm  
 Luminaire input power: 9.4 W  
 Luminaire luminous flux: 900 lm  
 Luminaire efficacy: 96 lm/W  
 Weight: 0.4 kg



TLG\_CHLC\_F\_74PDB.jpg



TLG\_CH74\_M\_LDHO.wmf



TLG\_LE\_1212.ltd

Lamp position: STD - standard  
 Light Source: LED  
 Luminaire luminous flux\*: 900 lm  
 Luminaire efficacy\*: 96 lm/W  
 Colour Rendering Index min.: 80  
 LOR: 1,00 ULOR: 0,00 DLOR: 1,00

Ballast: 1 x 28000655 LCA 50W 100-400mA one4all Ip PRE  
 Chromaticity tolerance (initial MacAdam): 3  
 Rated median useful life\*: L70 50000 h at 25 °C  
 Luminaire input power\*: 9.4 W Power factor = 0.9  
 Maintenance category CIE 97: C - Closed Top Reflector

This product contains a light source of energy efficiency class E.

All values marked with an \* are rated values. Thorn uses tried and tested components from leading suppliers, however there may be isolated instances of technology-related failures of individual LEDs during the rated product lifetime. International standards set the tolerance in initial flux and connected load at ±10%. Unless stated otherwise, the values apply to an ambient temperature of 25°C. Risk group

Thorn Lighting is constantly developing and improving its products. The right is reserved to change specifications without prior notification or public announcement.  
 © Thorn Lighting